



T&S BRASS AND BRONZE WORKS, INC.
 2 Saddleback Cove / P.O. Box 1088
 Travelers Rest, SC 29690

Model No.
B-0831-AM

Item No.

Travelers Rest, SC: 800-476-4103 • Simi Valley, CA: 800-423-0150 • Fax: 864-834-3518 • www.tsbrass.com



ADA Compliant



Push Button Metering Cartridges
 w/ Hot & Cold Push Button Caps
 w/ Anti-Microbial Coating and
 Vandal Resistant Screws

This Space for Architect/Engineer Approval

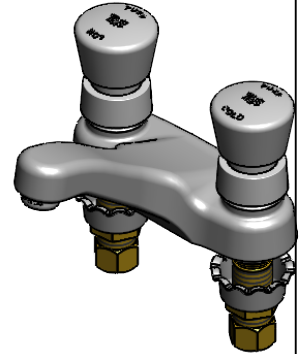
Job Name _____ Date _____

Model Specified _____ Quantity _____

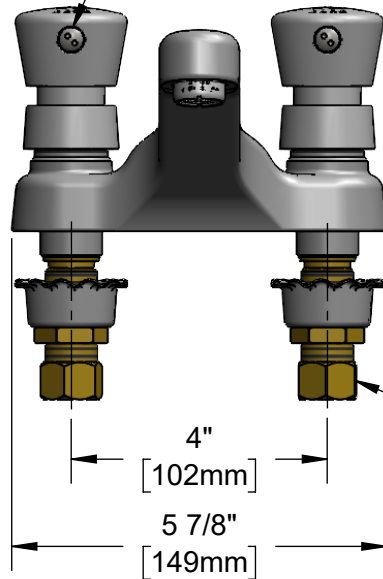
Customer/Wholesaler _____

Contractor _____

Architect/Engineer _____



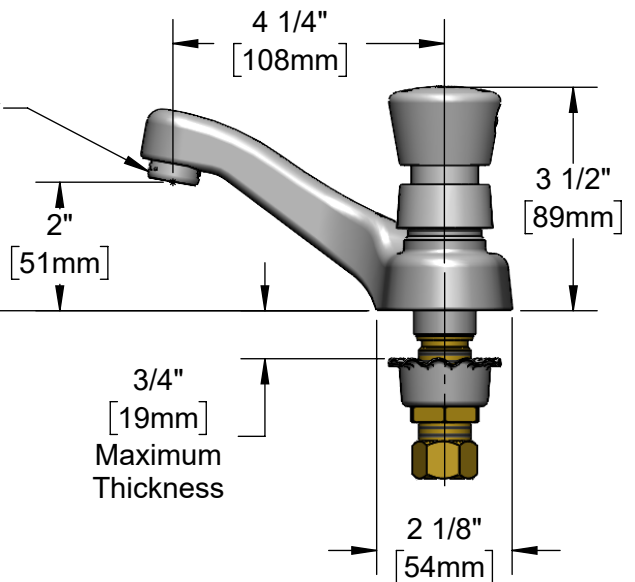
Vandal Resistant Screw.
 Loosen Screw (Do Not Remove)
 and Pull Off Push Button Assembly
 to Access Metering Adjustment.
 (Metering Adjustment Requires
 3/32" Hex Key)



B-0199-03
 2.2 GPM Aerator

Mounting
 Surface

1/2" NPSM
 Male Inlets w/
 Coupling Nuts



Rough-In Requirement :
 ϕ 1 1/8" [ϕ 29mm] Mounting Holes

Product Specifications:
 4" Centerset Deck Mount Faucet, Push Button Metering Cartridges, Push
 Button Caps w/ Anti-Microbial Coating, 2.2 GPM Aerator & 1/2" NPSM Male
 Inlets w/ Coupling Nuts

Product Compliance:
 ASME A112.18.1 / CSA B125.1
 NSF 61 - Section 9
 NSF 372 (Low Lead Content)
 ANSI A117.1 (ADA)



T&S BRASS AND BRONZE WORKS, INC.

2 Saddleback Cove / P.O. Box 1088
Travelers Rest, SC 29690

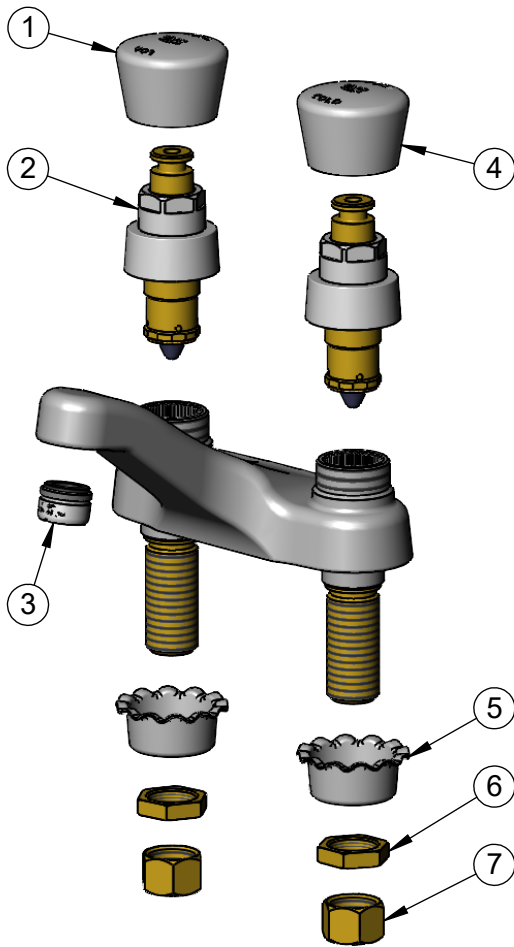
Model No.

B-0831-AM

Item No.

Travelers Rest, SC: 800-476-4103 • Simi Valley, CA: 800-423-0150 • Fax: 864-834-3518 • www.tsbrass.com

ITEM NO.	SALES NO.	DESCRIPTION
1	014194-40AM	Hot Push Button Cap w/ Anti-Microbial Coating & Spanner Bit
2	238A	Push Button Metering Cartridge
3	B-0199-03	2.2 GPM Aerator
4	014195-40AM	Cold Push Button Cap w/ Anti-Microbial Coating & Spanner Bit
5	001000-45	Rosette Washer
6	002954-45	Shank Lock Nut
7	000958-20	Coupling Nut



014734-45
Spanner Bit

Product Specifications:
4" Centerset Deck Mount Faucet, Push Button Metering Cartridges, Push Button Caps w/ Anti-Microbial Coating, 2.2 GPM Aerator & 1/2" NPSM Male Inlets w/ Coupling Nuts

Product Compliance:
ASME A112.18.1 / CSA B125.1
NSF 61 - Section 9
NSF 372 (Low Lead Content)
ANSI A117.1 (ADA)