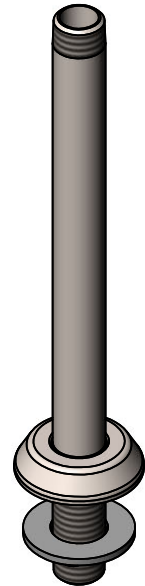
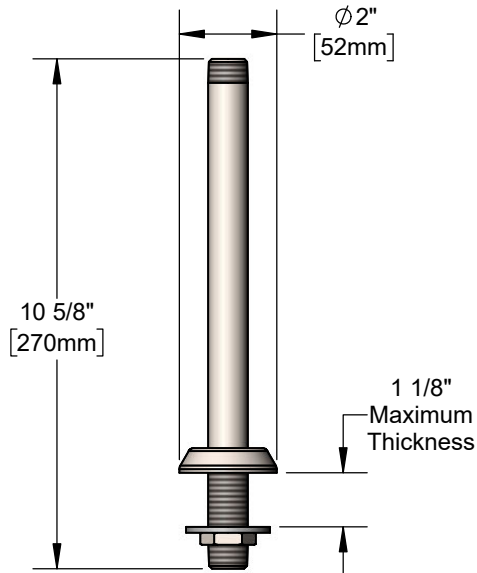




**Architect/Engineering Specifications:**

Stainless steel pedestal with 1/2" NPT male inlet and 2" adjustable stainless steel deck flange. Certified to NSF 61-Section 9 and NSF 372.

Job Name \_\_\_\_\_  
 Model Specified \_\_\_\_\_ Quantity \_\_\_\_\_  
 Variations Specified \_\_\_\_\_  
 Date \_\_\_\_\_



**Features & Benefits:**

- Stainless steel pedestal with 1/2" NPT male inlet
- 2" adjustable stainless steel deck flange
- Material: Stainless steel

**Product Compliance:**

- NSF 61 - Section 9
- NSF 372 (Low Lead Content)



**Warranty:** One Year (Limited)

**Performance Data:**

- N/A

