



Architect/Engineering Specifications:

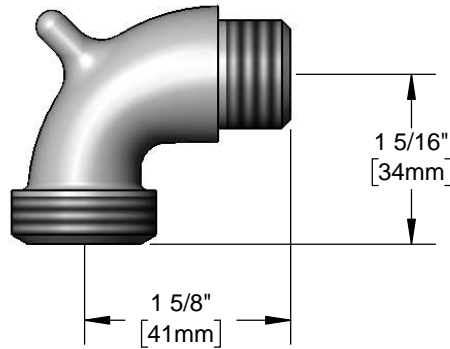
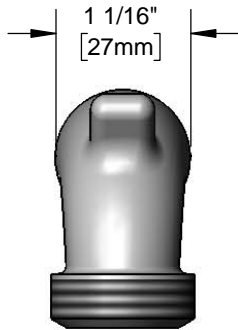
Polished chrome plated brass spout w/ male garden outlet and 1/2" NPT male inlet. Certified to NSF 61-Section 9 and NSF 372.

Job Name _____

Model Specified _____ Quantity _____

Variations Specified _____

Date _____



Features & Benefits:

- Chrome plated brass spout
- Male garden outlet
- 1/2" NPT male inlet
- Material: Chrome plated brass

Product Compliance:

- NSF 61 - Section 9
- NSF 372 (Low Lead Content)



Warranty: One Year (Limited)

Performance Data:

- N/A

