

*This Space for Architect/Engineer Approval*

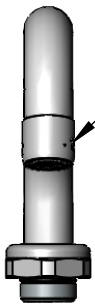
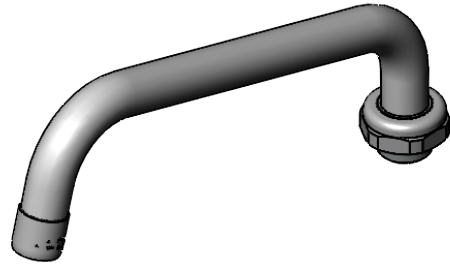
Job Name \_\_\_\_\_ Date \_\_\_\_\_

Model Specified \_\_\_\_\_ Quantity \_\_\_\_\_

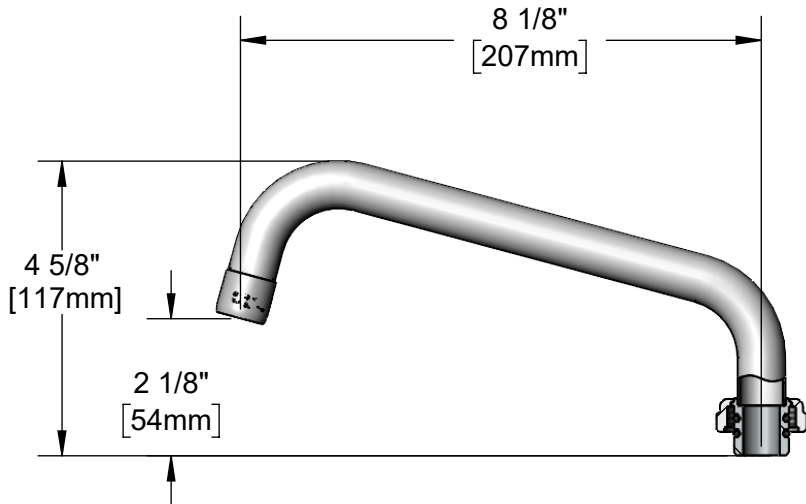
Customer/Wholesaler \_\_\_\_\_

Contractor \_\_\_\_\_

Architect/Engineer \_\_\_\_\_



3/4-27 Aerator,  
2.2 GPM



Note:  
Conversion to Rigid Requires 014200-45 Lock Washer  
(Available Separately)

Model Number

**5SP-08A**

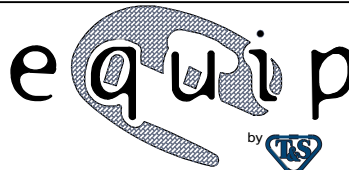
Product Specifications:

**8" Swing Nozzle w/ 2.2 GPM Aerator**

Product Compliance:

ASME A112.18.1 / CSA B125.1  
NSF 61 - Section 9  
NSF 372 (Low Lead Content)

equip  
Foodservice  
Accessories



2 Saddleback Cove, P.O. Box 1088  
Travelers Rest, South Carolina 29690  
Phone: 800.891.4808 Fax: 800.868.0084  
equip.tsbrass.com

Drawn: TRK

Checked: JRM

Approved: JHB

Date: 10/30/23

Scale: 1:3

Sheet: 1 of 1