



Workboard / Bar Sink Faucets

B-1125-CR-LN

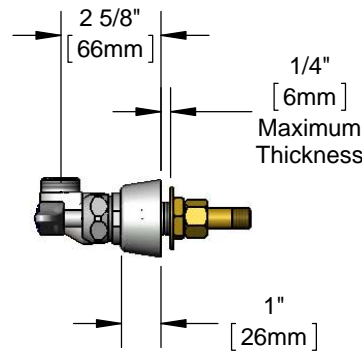
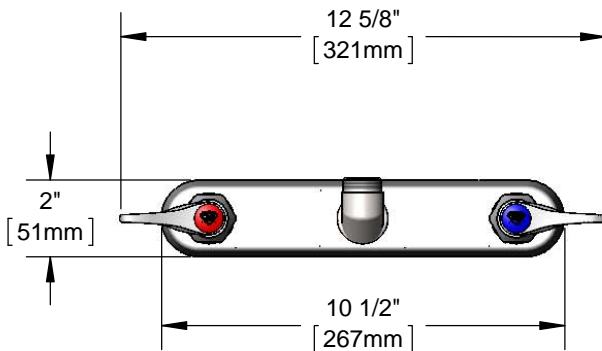
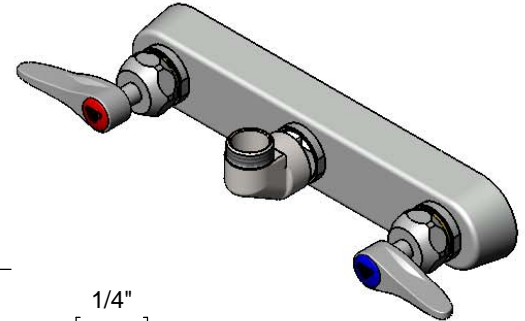
TAG:

Workboard Mixing Faucet

Architect/Engineering Specifications:

8" wall mount mixing faucet with chrome plated brass body, swivel outlet (less nozzle), ceramic cartridges with check valves, lever handles, 1/2" NPT male inlets and chrome plated escutcheon. Certified to ASME A112.18.1/CSA B125.1, NSF 61-Section 9 and NSF 372. Meets ADA ANSI/ICC A117.1 requirements.

Job Name _____
 Model Specified _____ Quantity _____
 Variations Specified _____
 Date _____



Features & Benefits:

- 8" wall mount mixing faucet w/ chrome plated brass body
- Quarter-turn Cerama cartridges w/ check valves to prevent cross flow of water
- Lever handles w/ color coded indexes
- Swivel outlet accepts T&S swing nozzles
- 1/2" NPT male inlets
- Tailpieces and nuts for 1/4" NPT male connections
- Chrome plated escutcheon
- Material: Chrome plated brass body and chrome plated metal handles & escutcheon

Product Compliance:

- ASME A112.18.1 / CSA B125.1
- NSF 61 - Section 9
- NSF 372 (Low Lead Content)
- ANSI A117.1 (ADA)



Warranty: One Year (Limited)

- Cerama Cartridge: Lifetime (Limited)



ADA Compliant

Performance Data:

- Pressure: 20 - 125 psi
- Temperature: 40°F - 180°F
- Flow Rate: 7.24 GPM @ 60 psi
(Outlet Device &/or Final Configuration May Reduce Flow Rate)

T&S Swing Nozzles w/ 2.2 GPM Aerator

- 059X-A22 6" Swing Nozzle
- 060X-A22 8" Swing Nozzle
- 061X-A22 10" Swing Nozzle
- 062X-A22 12" Swing Nozzle
- 063X-A22 14" Swing Nozzle
- 068X-A22 18" Double Joint Swing Nozzle

T&S Swivel Goosenecks w/ 2.2 GPM Aerator (D x K)

- 131X-A22 2 15/16" x 2 3/16" Swivel Gooseneck
- 132X-A22 2 11/16" x 4 7/8" Swivel Gooseneck
- 133X-A22 5 3/4" x 5 15/16" Swivel Gooseneck
- 135X-A22 8 13/16" x 5 1/8" Swivel Gooseneck

Optional Cartridges

- Quarter-Turn Cerama w/ Check Valve (Standard)
- Quarter-Turn Eterna w/ Spring Check

Optional Handles

- 4" Wrist Action
- Lever (Standard)



T&S BRASS AND BRONZE WORKS, INC.



• 2 Saddleback Cove • Travelers Rest, SC 29690
 Ph 800-476-4103 • Fax 864-834-3518
 • Simi Valley, CA • Ph 800-423-0150 • www.tsbrass.com

Date: 06/08/16