



Architect/Engineering Specifications:

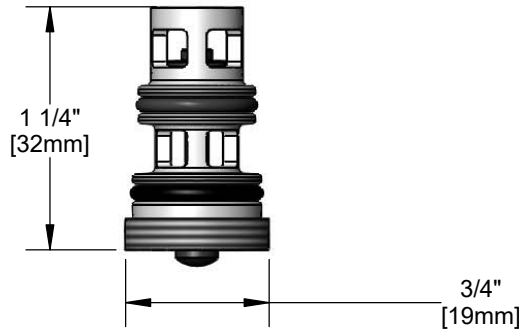
Glass filler valve assembly with spring. Fits all new style T&S glass fillers. Certified to NSF 61-Section 9 and NSF 372.

Job Name _____

Model Specified _____ Quantity _____

Variations Specified _____

Date _____



Features & Benefits:

- Glass filler valve assembly
- Includes stainless steel spring
- Fits all new style T&S glass fillers
- Material: Plastic, stainless steel & rubber.

Product Compliance:

- NSF 61 - Section 9
- NSF 372 (Low Lead Content)



Warranty: One Year (Limited)

Performance Data:

- N/A

