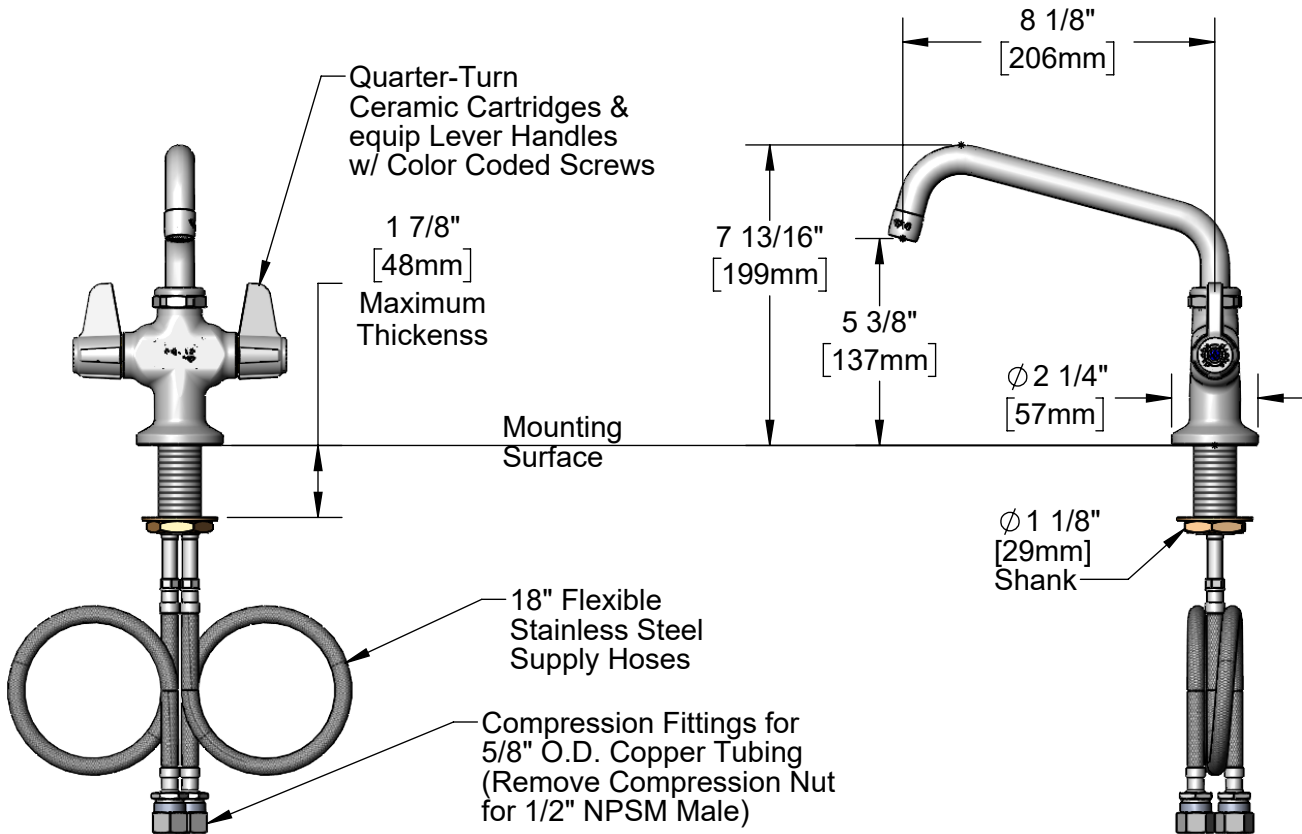
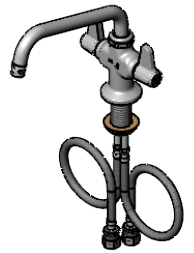


**ADA Compliant**

*This Space for Architect/Engineer Approval*

Job Name \_\_\_\_\_ Date \_\_\_\_\_  
 Model Specified \_\_\_\_\_ Quantity \_\_\_\_\_  
 Customer/Wholesaler \_\_\_\_\_  
 Contractor \_\_\_\_\_  
 Architect/Engineer \_\_\_\_\_

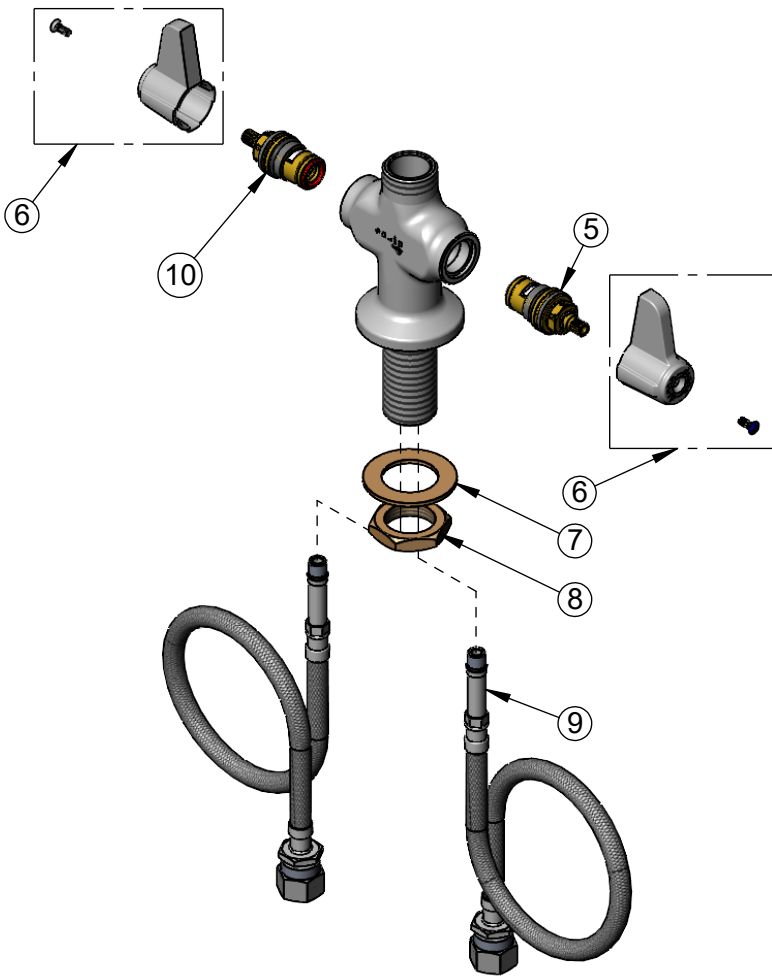
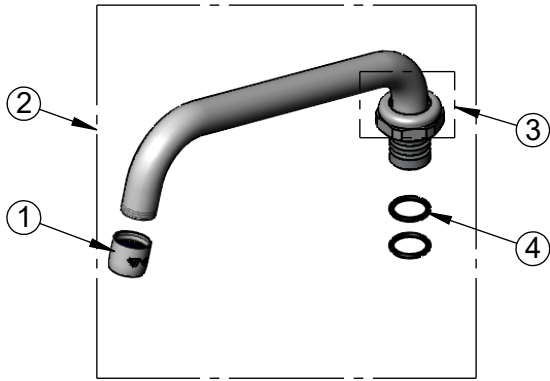
5SP-08  
 8" equip Swivel Gooseneck  
 w/ Laminar Flow Device.  
 Rigid Conversion Requires  
 014200-45 Lock Washer  
 (Sold Separately)



Rough-In Requirement:  
 Ø 1 1/2" [38mm] Mounting Hole

Model Number <p style="text-align: center;"><b>5F-2SLX08</b></p>	Product Specifications: <p style="text-align: center;"><b>Single Hole Deck Mount Mixing Faucet w/ Quarter-Turn Ceramic Cartridges, equip Lever Handles, 8" equip Swing Nozzle &amp; 18" Flexible Inlets</b></p>				
Product Compliance: ASME A112.18.1 / CSA B125.1 NSF 61 - Section 9 NSF 372 (Low Lead Content) ANSI A117.1 (ADA)	<div style="display: flex; justify-content: space-between; align-items: center;"> <div data-bbox="609 1906 738 1984"> <p>equip Foodservice Accessories</p> </div> <div data-bbox="747 1864 1096 2026"> </div> <div data-bbox="1104 1896 1550 1995"> <p>2 Saddleback Cove, P.O. Box 1088            Travelers Rest, South Carolina 29690            Phone: 800.891.4808 Fax: 800.868.0084            equip.tsbrass.com</p> </div> </div>				
Drawn: CAB	Checked: JRM	Approved: JHB	Date: 07/03/24	Scale: 1:5	Sheet: 1 of 2

ITEM NO.	SALES NO.	DESCRIPTION
1	014250-45	Laminar Flow Device
2	5SP-08	8" equip Swing Nozzle
3	013839-25	equip Swivel Nut
4	013848-45	O-Ring
5	013788-45	equip Quarter-Turn Ceramic Cartridge, LTC
6	5-HDL-L	equip Lever Handle w/ Color Coded Screws
7	002290-45	Lock Washer
8	000965-45	Lock Nut
9	012534-45	18" Flexible Supply Hose (2)
10	013787-45	equip Quarter-Turn Ceramic Cartridge, RTC



Model Number

**5F-2SLX08**

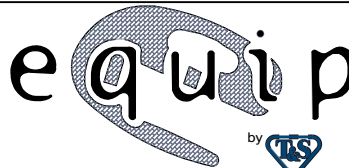
Product Specifications:

Single Hole Deck Mount Mixing Faucet w/ Quarter-Turn Ceramic Cartridges, equip Lever Handles, 8" equip Swing Nozzle & 18" Flexible Inlets

Product Compliance:

ASME A112.18.1 / CSA B125.1  
NSF 61 - Section 9  
NSF 372 (Low Lead Content)  
ANSI A117.1 (ADA)

equip  
Foodservice  
Accessories



2 Saddleback Cove, P.O. Box 1088  
Travelers Rest, South Carolina 29690  
Phone: 800.891.4808 Fax: 800.868.0084  
equip.tsbrass.com