



T&S BRASS AND BRONZE WORKS, INC.

2 Saddleback Cove / P.O. Box 1088
Travelers Rest, SC 29690

Model No.

B-1115-132XAW4K

Item No.

Travelers Rest, SC: 800-476-4103 • Simi Valley, CA: 800-423-0150 • Fax: 864-834-3518 • www.tsbrass.com



ADA Compliant

This Space for Architect/Engineer Approval

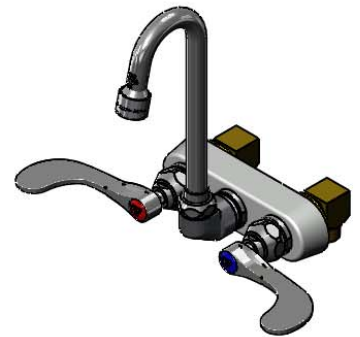
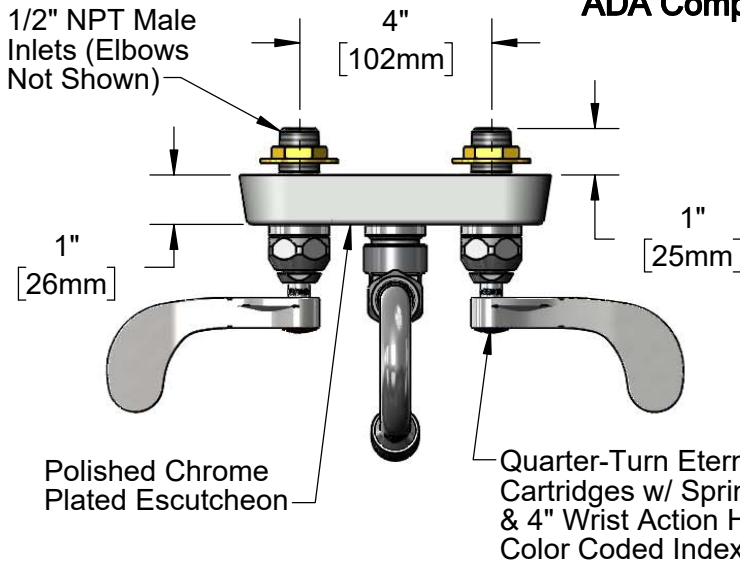
Job Name _____ Date _____

Model Specified _____ Quantity _____

Customer/Wholesaler _____

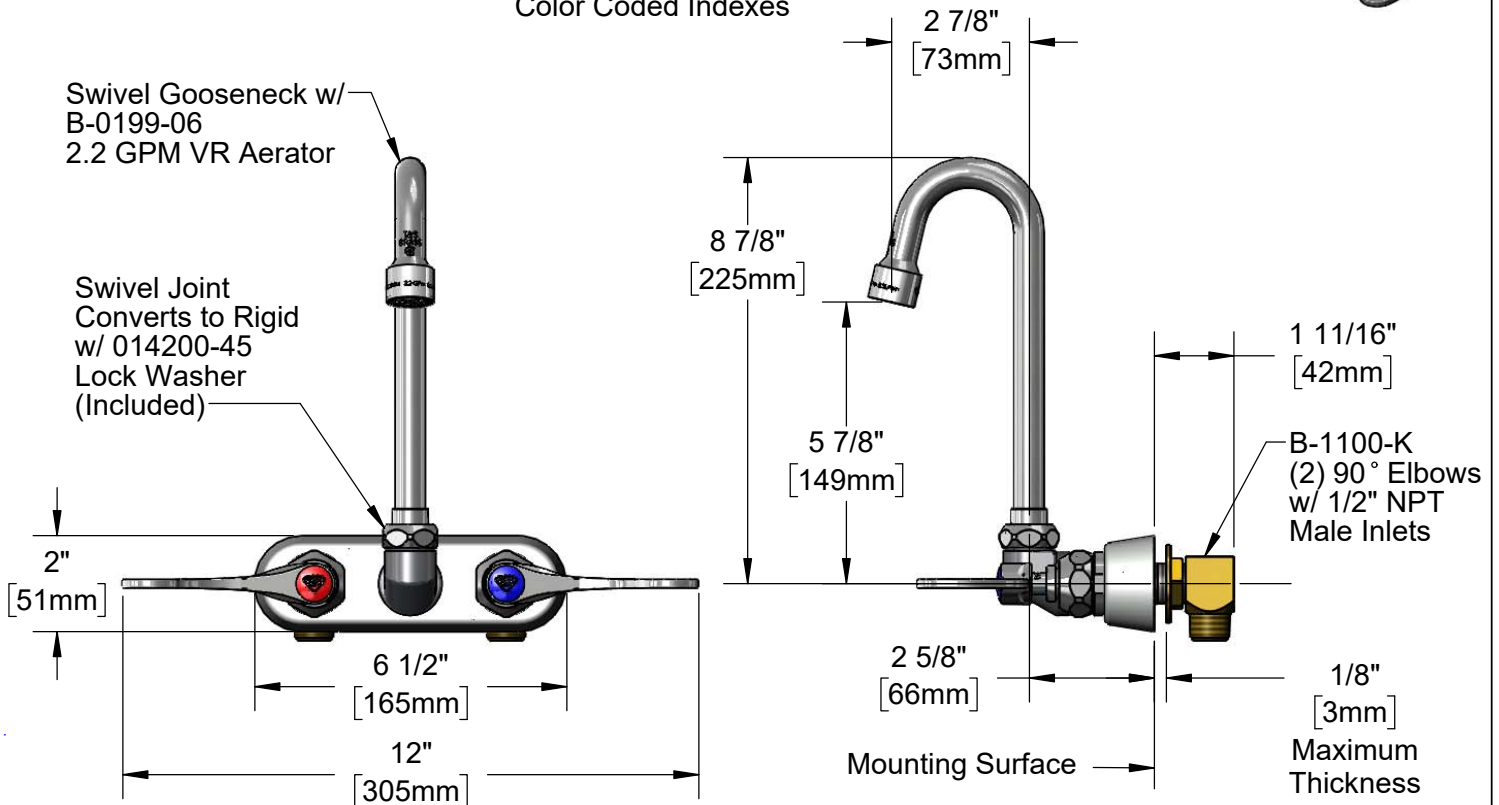
Contractor _____

Architect/Engineer _____



Swivel Gooseneck w/ B-0199-06
2.2 GPM VR Aerator

Swivel Joint Converts to Rigid w/ 014200-45 Lock Washer (Included)



Rough-In Requirement:
(2) \varnothing 1" [25mm] Mounting Holes

Product Specifications:

4" Wall Mount Workboard Faucet, Quarter-Turn Eterna Cartridges w/ Spring Checks, 4" Wrist Action Handles, 2 11/16" Swivel Gooseneck, 2.2 GPM VR Aerator & 1/2" NPT Male Inlet Elbows

Product Compliance:

ASME A112.18.1 / CSA B125.1
NSF 61 - Section 9
NSF 372 (Low Lead Content)
ANSI A117.1 (ADA)



T&S BRASS AND BRONZE WORKS, INC.

2 Saddleback Cove / P.O. Box 1088
Travelers Rest, SC 29690

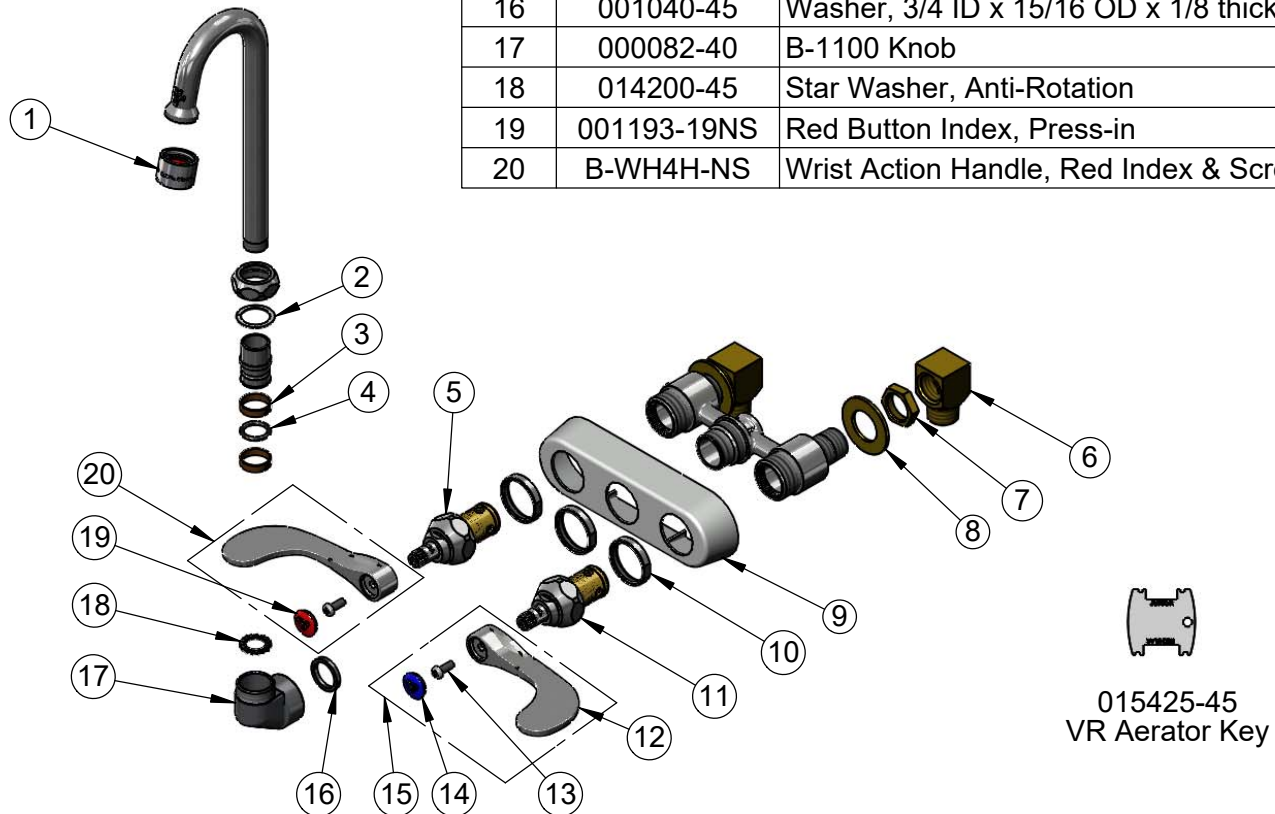
Model No.

B-1115-132XAW4K

Item No.

Travelers Rest, SC: 800-476-4103 • Simi Valley, CA: 800-423-0150 • Fax: 864-834-3518 • www.tsbrass.com

| ITEM NO. | SALES NO. | DESCRIPTION |
|----------|-------------|--|
| 1 | B-0199-06 | VR 2.2 GPM Aerator, 55/64-27 UN Female w/ Key |
| 2 | 009538-45 | Swivel Washer |
| 3 | 011429-45 | Swivel Sleeves (2) |
| 4 | 001074-45 | O-Ring |
| 5 | 012442-40NS | Quarter-Turn Eterna Cartridge w/ Spring Check, LTC |
| 6 | B-1100-K | 1/2" NPT Male Inlet Elbow |
| 7 | 002954-45 | Shank Lock Nut |
| 8 | 000999-45 | Brass Lock Washer |
| 9 | 019374-40 | B-1110 Eterna Workboard Escutcheon |
| 10 | 019376-40 | Escutcheon Lock Nut |
| 11 | 012443-40NS | Quarter-Turn Eterna Cartridge w/ Spring Check, RTC |
| 12 | B-WH4-NS | Wrist Action Handle (New Style) |
| 13 | 000925-45 | Lab Handle Screw |
| 14 | 018506-19NS | Blue Button Index, Press-in |
| 15 | B-WH4C-NS | Wrist Action Handle, Blue Index & Screw |
| 16 | 001040-45 | Washer, 3/4 ID x 15/16 OD x 1/8 thick |
| 17 | 000082-40 | B-1100 Knob |
| 18 | 014200-45 | Star Washer, Anti-Rotation |
| 19 | 001193-19NS | Red Button Index, Press-in |
| 20 | B-WH4H-NS | Wrist Action Handle, Red Index & Screw |



Product Specifications:

4" Wall Mount Workboard Faucet, Quarter-Turn Eterna Cartridges w/ Spring Checks, 4" Wrist Action Handles, 2 11/16" Swivel Gooseneck, 2.2 GPM VR Aerator & 1/2" NPT Male Inlet Elbows

Product Compliance:

ASME A112.18.1 / CSA B125.1
NSF 61 - Section 9
NSF 372 (Low Lead Content)
ANSI A117.1 (ADA)