



**T&S BRASS AND BRONZE WORKS, INC.**  
 2 Saddleback Cove / P.O. Box 1088  
 Travelers Rest, SC 29690

Model No.  
**B-2347-01**

Item No.

Travelers Rest, SC: 800-476-4103 • Simi Valley, CA: 800-423-0150 • Fax: 864-834-3518 • www.tsbrass.com

This Space for Architect/Engineer Approval

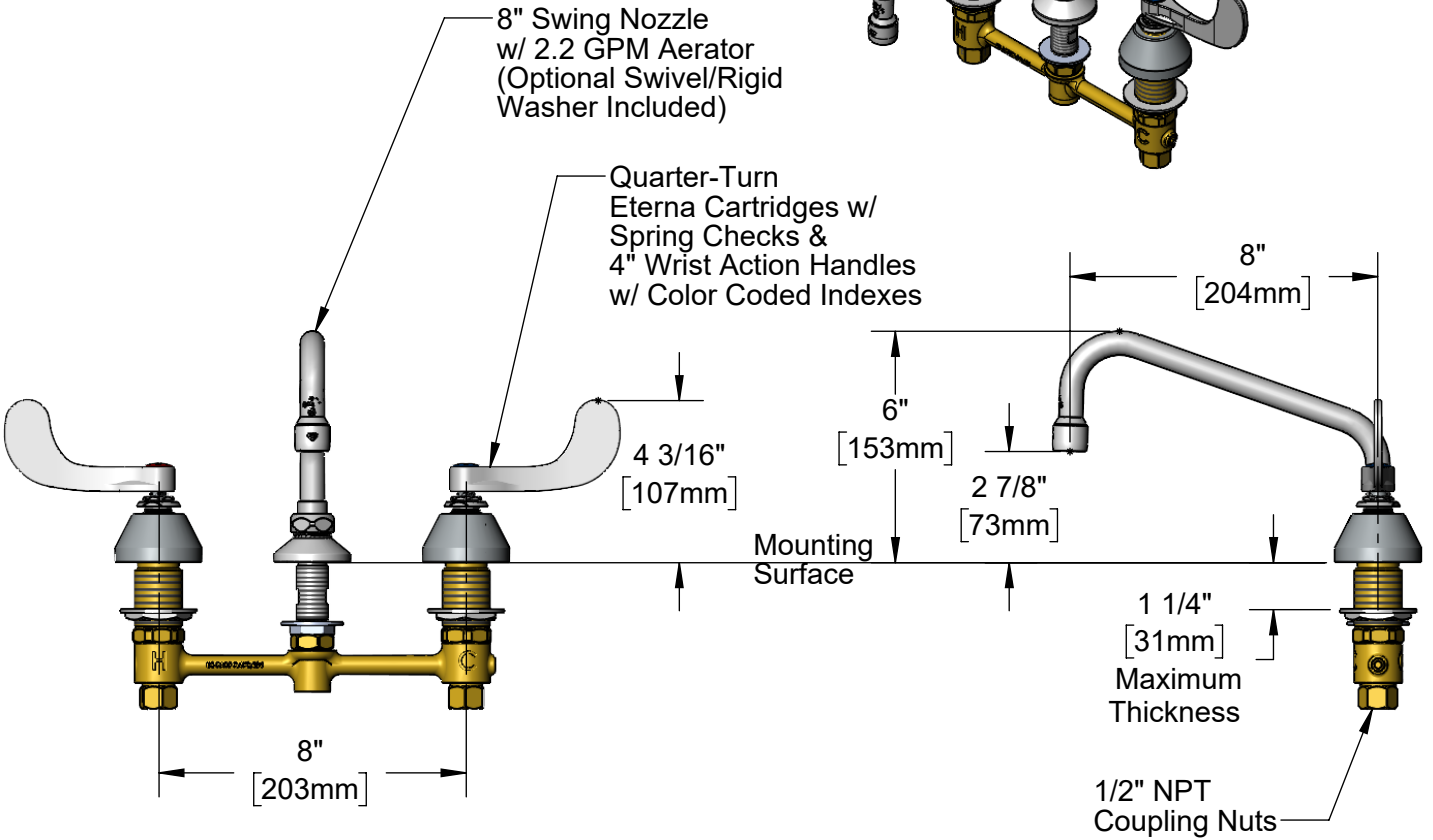
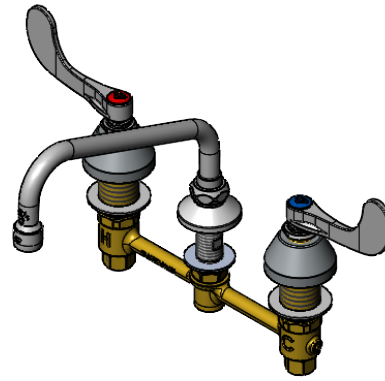
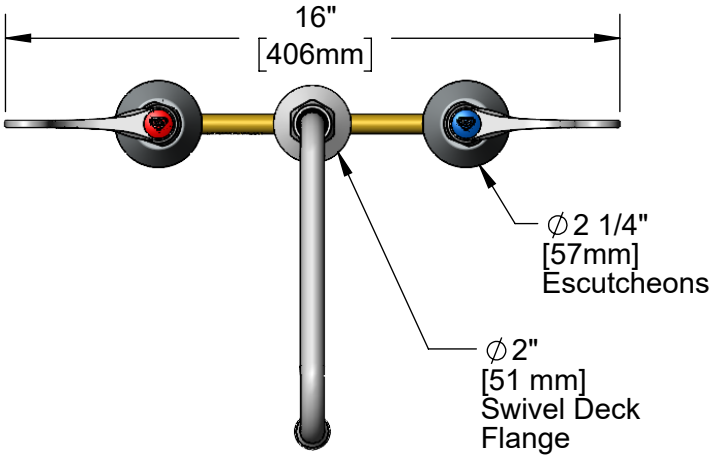
Job Name \_\_\_\_\_ Date \_\_\_\_\_

Model Specified \_\_\_\_\_ Quantity \_\_\_\_\_

Customer/Wholesaler \_\_\_\_\_

Contractor \_\_\_\_\_

Architect/Engineer \_\_\_\_\_



**Rough-In Requirement:**  
 Ø 1" [25mm] for Center Shank  
 Ø 1 1/2" [38mm] for Hot/Cold Side

**Product Specifications:**  
 8" Concealed Widespread EasyInstall Mixing Faucet w/ 4" Wrist Action Handles, Quarter-Turn Eterna Cartridges w/ Spring Checks, 8" Swing Nozzle w/ 2.2 GPM Aerator, & 1/2" NPT Male Inlets w/ Coupling Nuts

**Product Compliance:**  
 ASME A112.18.1 / CSA B125.1  
 NSF 61 - Section 9  
 NSF 372 (Low Lead Content)  
 ANSI A117.1 (ADA)



# T&S BRASS AND BRONZE WORKS, INC.

2 Saddleback Cove / P.O. Box 1088  
Travelers Rest, SC 29690

Model No.

**B-2347-01**

Item No.

Travelers Rest, SC: 800-476-4103 • Simi Valley, CA: 800-423-0150 • Fax: 864-834-3518 • www.tsbrass.com

ITEM NO.	SALES NO.	DESCRIPTION
1	B-0199-01	2.2 GPM Aerator
2	014200-45	Star Washer, Anti-Rotation
3	016754-40	EasyInstall CWS Swivel Center Shank
4	016742-45	Center Flange Nut
5	016745-45	Compression Nut & Fitting
6	018506-19NS	Blue Button Index, Press-in
7	000925-45	Lab Handle Screw
8	B-WH4C-NS	Wrist Action Handle, Blue Index & Screw
9	B-WH4-NS	Wrist Action Handle - New Style
10	016752-40NS	EasyInstall, CWS Quarter-Turn Eterna Cartridge w/ Spring Check, LTC
11	016749-45	Sidebody C-Washer
12	016777-45	CWS Hanger
13	000958-20	Coupling Nut
14	016753-40NS	EasyInstall, CWS Quarter-Turn Eterna Cartridge w/ Spring Check, RTC
15	016743-20	Eterna Bonnet - EXTENDED
16	009002-40NS	CWS Packing Nut
17	001257-40NS	Bell Escutcheon
18	B-WH4H-NS	Wrist Action Handle, Red Index & Screw
19	001193-19NS	Red Button Index, Press-in

**017245-40**  
Installation Repair Kit  
Includes #4, (2)#11 & #12

**Product Specifications:**  
8" Concealed Widespread EasyInstall Mixing Faucet w/ 4" Wrist Action Handles, Quarter-Turn Eterna Cartridges w/ Spring Checks, 8" Swing Nozzle w/ 2.2 GPM Aerator, & 1/2" NPT Male Inlets w/ Coupling Nuts

**Product Compliance:**  
ASME A112.18.1 / CSA B125.1  
NSF 61 - Section 9  
NSF 372 (Low Lead Content)  
ANSI A117.1 (ADA)