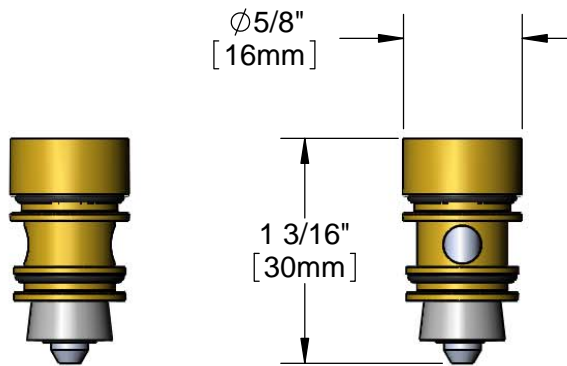




Architect/Engineering Specifications:

B-2730 faucet diverter valve replacement kit. Certified to ASME A112.18.1/CSA B125.1, NSF 61-Section 9 and NSF 372. Meets ADA ANSI/ICC A117.1 requirements.

Job Name _____
 Model Specified _____ Quantity _____
 Variations Specified _____
 Date _____



Features & Benefits:

- B-2730 faucet diverter valve replacement kit
- (1) Diverter valve stem
- (1) Diverter valve seal
- (2) Diverter valve O-rings
- (1) Diverter valve body
- (1) Diverter valve stem seal
- Material: Brass body and rubber seals

Product Compliance:

- ASME A112.18.1 / CSA B125.1
- NSF 61 - Section 9
- NSF 372 (Low Lead Content)

Warranty: One Year (Limited)

Performance Data:

- N/A

