



# Quick-Disconnect Spray Valve Assemblies

## B-0452

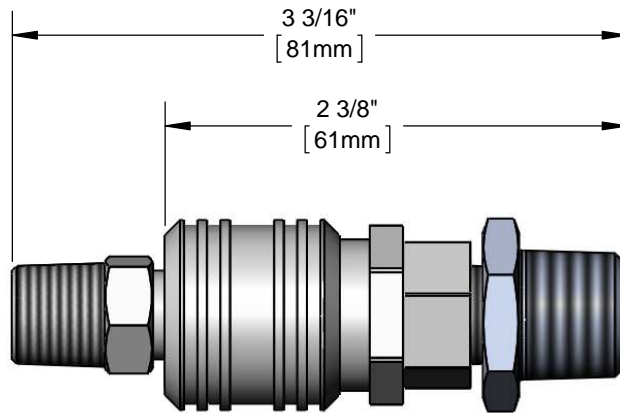
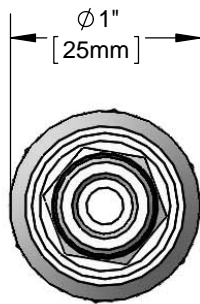
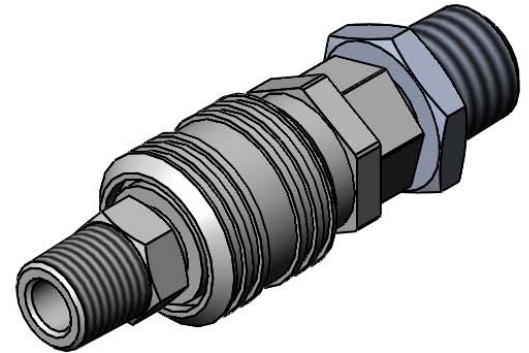
TAG:

## Quick-Disconnect Coupling Set

### Architect/Engineering Specifications:

Stainless steel quick-disconnect coupling set with 1/4" NPT male plug and 3/8" NPT male socket. Certified to ASME A112.18.1/CSA B125.1, NSF 61-Section 9 and NSF 372.

Job Name \_\_\_\_\_  
 Model Specified \_\_\_\_\_ Quantity \_\_\_\_\_  
 Variations Specified \_\_\_\_\_  
 Date \_\_\_\_\_



### Features & Benefits:

- Stainless steel quick-disconnect coupling set
- 1/4" NPT male plug
- 3/8" NPT male socket
- When 1/4" NPT plug is removed from quick-disconnect socket flow is automatically shut off

### Product Compliance:

- ASME A112.18.1 / CSA B125.1
- NSF 61 - Section 9
- NSF 372 (Low Lead Content)

**Warranty:** One Year (Limited)

### Performance Data:

- Pressure: 20 - 125 psi
- Temperature: 40 °F - 140 °F
- Flow Rate: 6.51 GPM @ 60 psi



T&S BRASS AND BRONZE WORKS, INC.



• 2 Saddleback Cove • Travelers Rest, SC 29690  
 Ph 800-476-4103 • Fax 864-834-3518  
 • Simi Valley, CA • Ph 800-423-0150 • www.tsbrass.com

Date: 11/21/16