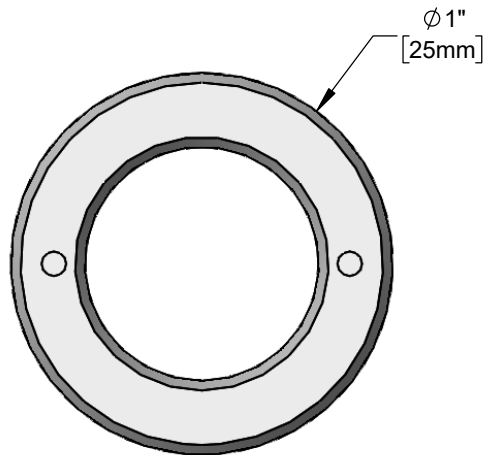
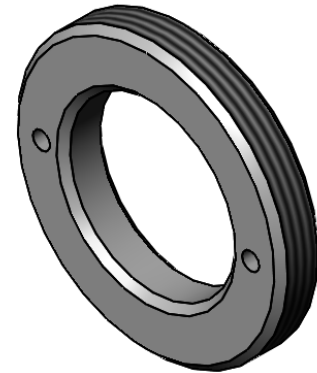




Architect/Engineering Specifications:

Diverter cartridge nut, rough chrome plate.

Job Name _____
 Model Specified _____ Quantity _____
 Variations Specified _____
 Date _____



Features & Benefits:

- Diverter cartridge nut
- Material: Rough chrome plated metal

Product Compliance:

- N/A

Warranty: One Year (Limited)

Performance Data:

- N/A

