



**Waste Valves**  
**B-3940-BSP**

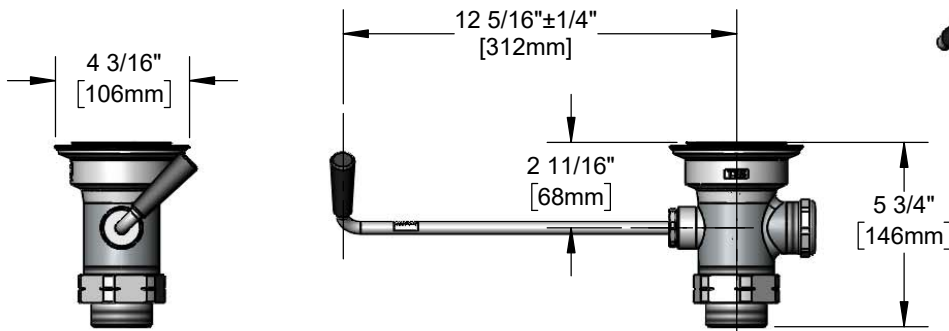
TAG:

*Waste Valve with Twist Handle*

**Architect/Engineering Specifications:**

Rotary waste valve for 3" sink opening with rough chrome plated body, 2" NPT male / 1 1/2" BSP male adapter, twist handle with heat resistant plastic grip, snap-in removable strainer and overflow outlet with cap. Certified to ASME A112.18.2/CSA B125.2

Job Name \_\_\_\_\_  
 Model Specified \_\_\_\_\_ Quantity \_\_\_\_\_  
 Variations Specified \_\_\_\_\_  
 Date \_\_\_\_\_



**Features & Benefits:**

- Rotary waste valve for 3" sink opening w/ rough chrome plated body
- 2" NPT male / 1 1/2" BSP male adapter
- Twist handle w/ heat resistant plastic grip
- Snap-in removable strainer
- Overflow outlet w/ cap & sealing washer
- Material: Rough chrome plated brass body & adapter and stainless steel handle & flat strainer

**Product Compliance:**

- ASME A112.18.2 / CSA B125.2

**Warranty:** One Year (Limited)

**Performance Data:**

- Discharge Rate: 17.14 GPM [64.88 L/min] max
- Temperature: 40 °F -180 °F [4.44 °C -82.2 °C]



**T&S BRASS AND BRONZE WORKS, INC.**



• 2 Saddleback Cove • Travelers Rest, SC 29690  
 Ph 800-476-4103 • Fax 864-834-3518  
 • Simi Valley, CA • Ph 800-423-0150 • www.tsbrass.com

Date: 02/09/23