



**T&S BRASS AND BRONZE WORKS, INC.**  
 2 Saddleback Cove / P.O. Box 1088  
 Travelers Rest, SC 29690

Model No.  
**B-0731**

Item No.

Travelers Rest, SC: 800-476-4103 • Simi Valley, CA: 800-423-0150 • Fax: 864-834-3518 • www.tsbrass.com

This Space for Architect/Engineer Approval

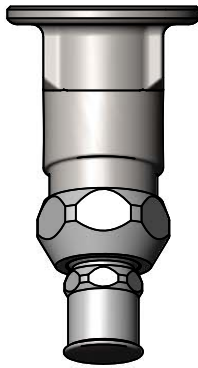
Job Name \_\_\_\_\_ Date \_\_\_\_\_

Model Specified \_\_\_\_\_ Quantity \_\_\_\_\_

Customer/Wholesaler \_\_\_\_\_

Contractor \_\_\_\_\_

Architect/Engineer \_\_\_\_\_



Ø2" [51mm]  
 Flange w/  
 3/4" NPT  
 Female Inlet

Loose Key  
 Stop Eterna  
 Cartridge w/  
 Spring Check

Garden Hose  
 Male Outlet

3 5/8"  
 [93mm]

1 5/8"  
 [42mm]

Product Specifications:

Single Hole, Single Temperature, Wall Mount Sill Faucet, Loose Key Stop Eterna Cartridge w/ Spring Check, Garden Hose Male Outlet, Rough Chrome Finish & 3/4" NPT Female Inlet

Product Compliance:

ASME A112.18.1 / CSA B125.1  
 NSF 61 - Section 9  
 NSF 372 (Low Lead Content)



# T&S BRASS AND BRONZE WORKS, INC.

2 Saddleback Cove / P.O. Box 1088  
Travelers Rest, SC 29690

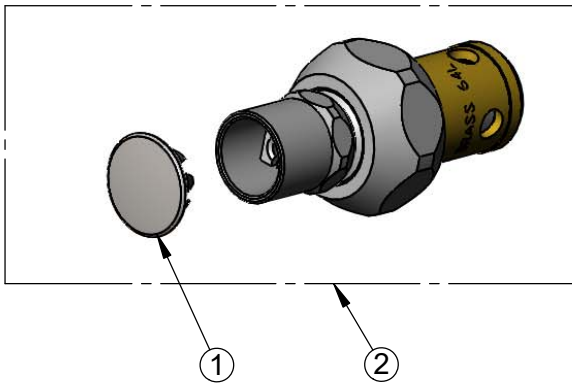
Model No.

**B-0731**

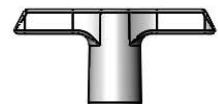
Item No.

Travelers Rest, SC: 800-476-4103 • Simi Valley, CA: 800-423-0150 • Fax: 864-834-3518 • www.tsbrass.com

ITEM NO.	SALES NO.	DESCRIPTION
1	001605-45	Cap
2	124A-NS	Loose Key Stop Eterna Cartridge, RTC w/ T-Handle, Screw and Cap



002432-45  
T-Handle Screw



001802-45  
T-Handle

### Product Specifications:

Single Hole, Single Temperature, Wall Mount Sill Faucet, Loose Key Stop Eterna Cartridge w/ Spring Check, Garden Hose Male Outlet, Rough Chrome Finish & 3/4" NPT Female Inlet

### Product Compliance:

ASME A112.18.1 / CSA B125.1  
NSF 61 - Section 9  
NSF 372 (Low Lead Content)