



T&S BRASS AND BRONZE WORKS, INC.
 2 Saddleback Cove / P.O. Box 1088
 Travelers Rest, SC 29690

Model No.
161A-NS

Item No.

Travelers Rest, SC: 800-476-4103 • Simi Valley, CA: 800-423-0150 • Fax: 864-834-3518 • www.tsbrass.com

This Space for Architect/Engineer Approval

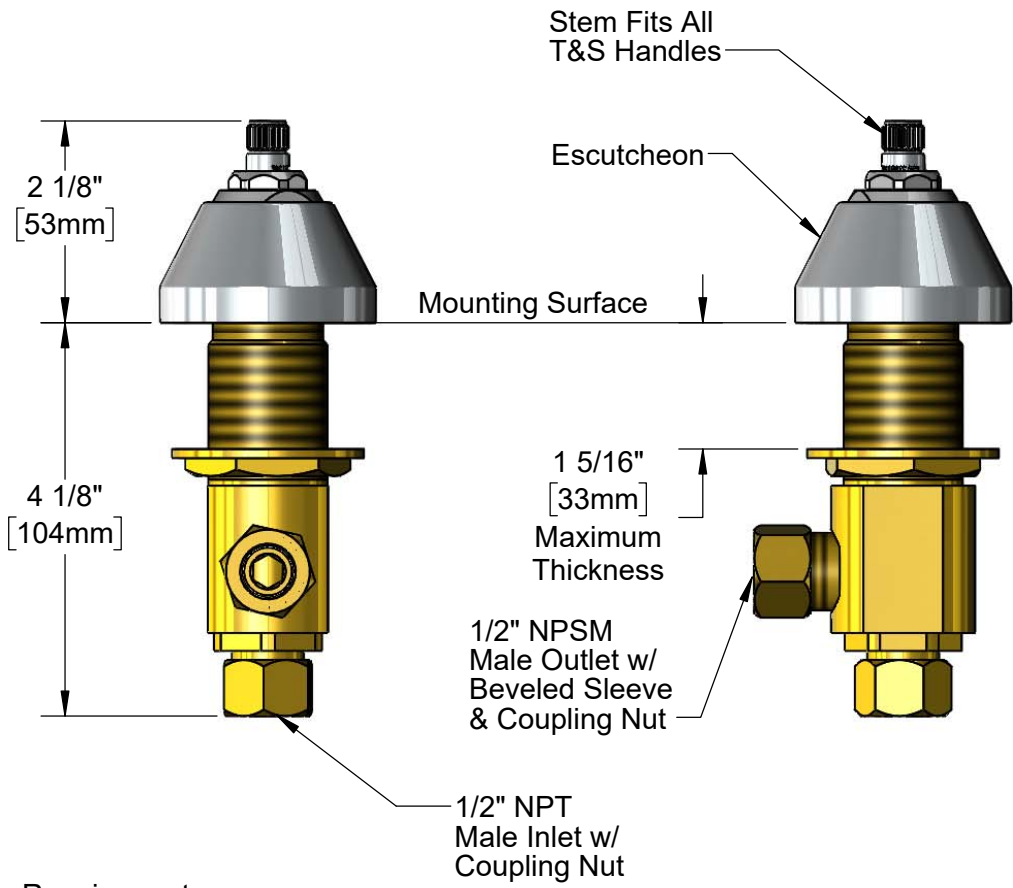
Job Name _____ Date _____

Model Specified _____ Quantity _____

Customer/Wholesaler _____

Contractor _____

Architect/Engineer _____



Rough-In Requirement:
 Ø 1 1/2" [38mm] Mounting Hole

Product Specifications:
 B-0850 Cold Side Body, Quarter-Turn Eterna Cartridge w/ Spring Check,
 Less Handle, Escutcheon & 1/2" NPSM Male Inlet w/ Coupling Nut

Product Compliance:
 ASME A112.18.1 / CSA B125.1
 NSF 61 - Section 9
 NSF 372 (Low Lead Content)

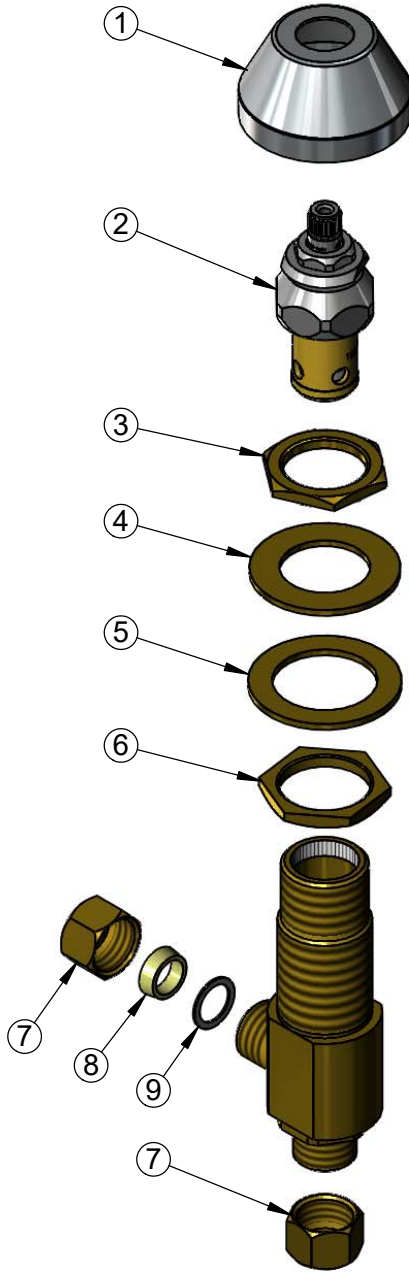


T&S BRASS AND BRONZE WORKS, INC.
 2 Saddleback Cove / P.O. Box 1088
 Travelers Rest, SC 29690

Model No.
161A-NS

Item No.

Travelers Rest, SC: 800-476-4103 • Simi Valley, CA: 800-423-0150 • Fax: 864-834-3518 • www.tsbrass.com



ITEM NO.	SALES NO.	DESCRIPTION
1	001257-40NS	Bell Escutcheon
2	006477-40NS	Quarter-Turn Eterna Cartridge, LTC w/ Spring Check & Escutcheon Bonnet
3	000959-20	Side Body Lock Nut
4	002290-45	Lock Washer
5	001006-45	Washer
6	000960-20	Nut, B-0850
7	000958-20	Coupling Nut
8	001091-45	Beveled Rubber Washer (Ferrule)
9	000981-45	Friction Washer

Product Specifications:

B-0850 Cold Side Body, Quarter-Turn Eterna Cartridge w/ Spring Check, Less Handle, Escutcheon & 1/2" NPSM Male Inlet w/ Coupling Nut

Product Compliance:

ASME A112.18.1 / CSA B125.1
 NSF 61 - Section 9
 NSF 372 (Low Lead Content)