



# Service Sink / Mop Sink Faucets

## B-0660-BSTP

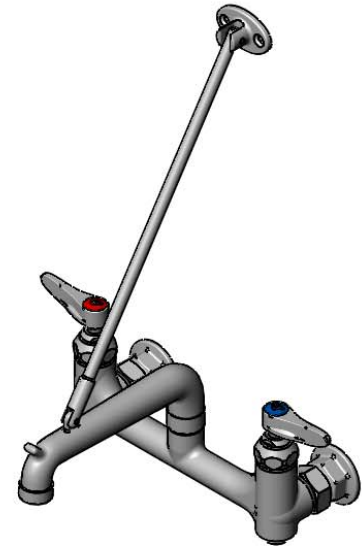
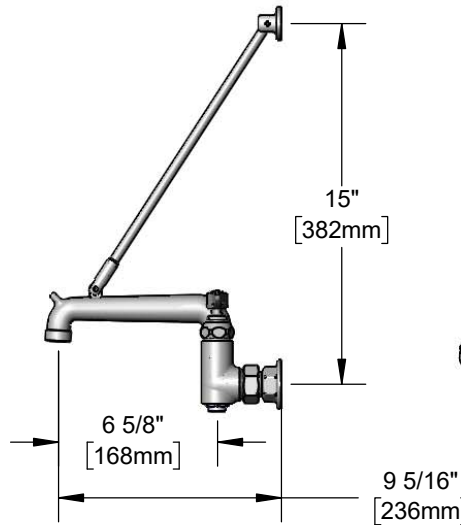
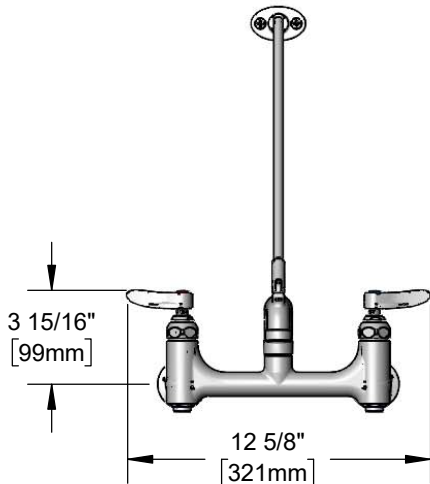
TAG:

### Service Sink Faucet

#### Architect/Engineering Specifications:

8" wall mount mixing faucet with polished chrome plated brass body, polished chrome plated brass spout with pail hook and plain end outlet, compression cartridges with spring checks, lever handles, 1/2" NPT female inlets, built-in service stops in body and upper support rod. Certified to ASME A112.18.1/CSA B125.1, NSF 61 -Section 9 & NSF 372. Meets ADA ANSI/ICC A117.1 requirements.

Job Name \_\_\_\_\_  
 Model Specified \_\_\_\_\_ Quantity \_\_\_\_\_  
 Variations Specified \_\_\_\_\_  
 Date \_\_\_\_\_



#### Features & Benefits:

- 8" wall mount mixing faucet with polished chrome plated brass body
- Spout with plain end outlet, pail hook & upper support rod
- Lever handles with color coded indexes
- Quarter-turn Eterna compression cartridges with spring checks to prevent cross flow of water
- 1/2" NPT female eccentric inlets w/ Ø2" flanges
- Adjustable centers from 7 3/4" to 8 1/4"
- Built-in service stops in body
- Upper support rod
- Material: Polished chrome plated brass body & spout and chrome plated metal handles

#### Product Compliance:

- ASME A112.18.1 / CSA B125.1
- NSF 61 - Section 9
- NSF 372 (Low Lead Content)
- ANSI A117.1 (ADA)



ADA Compliant

**Warranty:** One Year (Limited)

#### Performance Data:

- Pressure: 20 - 125 psi
- Temperature: 40 °F - 140 °F
- Flow Rate: 18.45 GPM @ 60 psi

#### Optional Handles

- 4" Wrist Action
- Lever (Standard)
- 4-Arm

#### Optional Cartridges With Checks

- Quarter-Turn Cerama w/ Check Valve
- Quarter-Turn Eterna w/ Spring Check (Standard)



T&S BRASS AND BRONZE WORKS, INC.



• 2 Saddleback Cove • Travelers Rest, SC 29690  
 Ph 800-476-4103 • Fax 864-834-3518  
 • Simi Valley, CA • Ph 800-423-0150 • www.tsbrass.com

Date: 05/31/19