



Big-Flo Faucets

B-0293-14

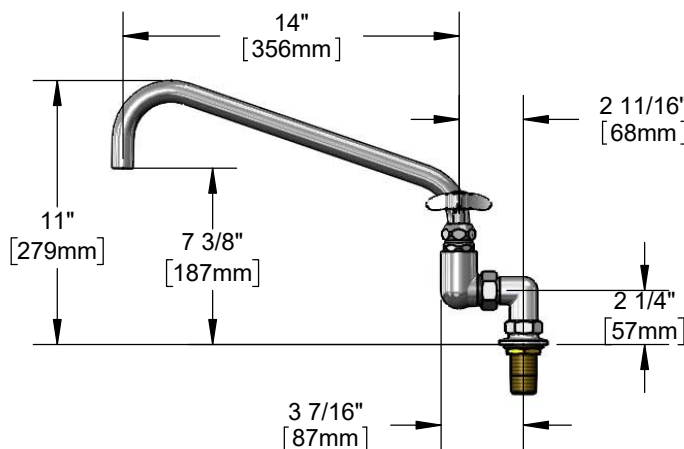
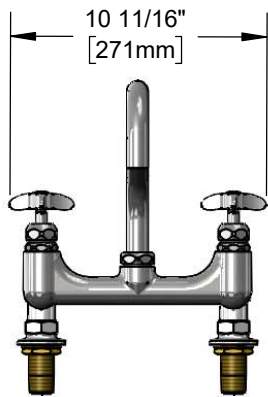
TAG:

Big-Flo Mixing Faucet

Architect/Engineering Specifications:

8" deck mount large flow mixing faucet with polished chrome plated brass body, 14" swing nozzle with plain end outlet, compression cartridges, 4-arm handles, 3/4" NPT female inlets and 3/4" NPT supply nipples. Certified to ASME A112.18.1/CSA B125.1, NSF 61-Section 9 and NSF 372. Meets ADA ANSI/ICC A117.1 requirements.

Job Name _____
 Model Specified _____ Quantity _____
 Variations Specified _____
 Date _____



Features & Benefits:

- 8" deck mount Big-Flo mixing faucet with polished chrome plated brass body
- 14" Big-Flo plain end swing nozzle
- Lock washer provided for rigid application
- Big-Flo compression cartridges
- 4-arm handles w/ color coded indexes
- 3/4" NPT female inlets w/ \varnothing 2" flanges
- 3/4" NPT supply nipples
- Material: Polished chrome plated brass body & tubular spout and chrome plated metal handles

Product Compliance:

- ASME A112.18.1 / CSA B125.1
- NSF 61 - Section 9
- NSF 372 (Low Lead Content)
- ANSI A117.1 (ADA)

Warranty: One Year (Limited)

Performance Data:

- Pressure: 20 - 125 psi
- Temperature: 40 °F - 140 °F
- Flow Rate: 44.27 GPM @ 60 psi



T&S BRASS AND BRONZE WORKS, INC.



• 2 Saddleback Cove • Travelers Rest, SC 29690
 Ph 800-476-4103 • Fax 864-834-3518
 • Simi Valley, CA • Ph 800-423-0150 • www.tsbrass.com

Date: 06/15/18