



#### Architect/Engineering Specifications:

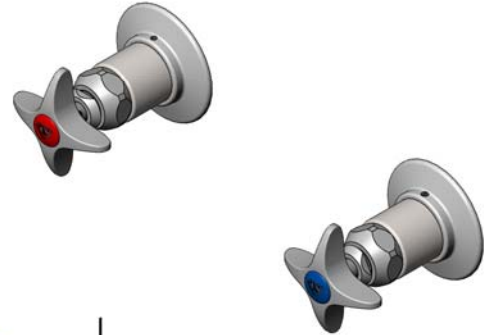
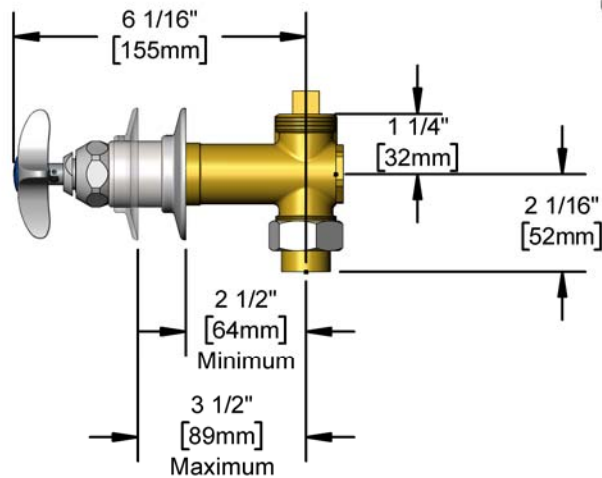
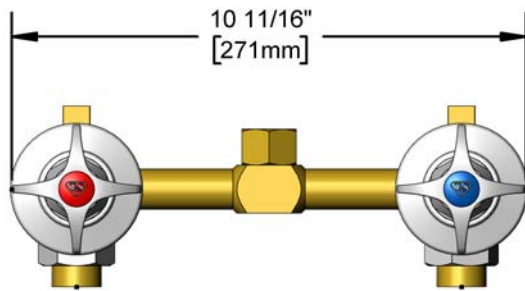
8" concealed bypass mixing valve with brass body, polished chrome plated brass adjustable wall flanges and sleeves, 1/2" NPT female outlet, compression cartridges with spring checks, 4-arm handles, and 1/2" NPT female union inlets. Certified to ASME A112.18.1/CSA B125.1, NSF 61-Section 9 and NSF 372. Meets ADA ANSI/ICC A117.1 requirements.

Job Name \_\_\_\_\_

Model Specified \_\_\_\_\_ Quantity \_\_\_\_\_

Variations Specified \_\_\_\_\_

Date \_\_\_\_\_



#### Features & Benefits:

- 8" concealed bypass mixing valve
- Ø 2 3/4" polished chrome plated brass adjustable wall flanges and sleeves
- 1/2" NPT female outlet
- Quarter-turn Eterna compression cartridges w/ spring checks to prevent cross flow of water
- 4-arm handles w/ color coded indexes
- 1/2" NPT female union inlets can be installed in bottom or top of valve
- Material: Brass valve body, polished chrome plated brass adjustable wall flanges & sleeves and chrome plated metal handles

#### Optional Cartridges With Checks

- Quarter-Turn Cerama w/ Check Valve
- Quarter-Turn Eterna w/ Spring Check (Standard)

#### Product Compliance:

- ASME A112.18.1 / CSA B125.1
- NSF 61 - Section 9
- NSF 372 (Low Lead Content)
- ANSI A117.1 (ADA)
- Product Not Designed/Intended for Bath/Shower Applications

**Warranty:** One Year (Limited)

#### Performance Data:

- Pressure: 20 - 125 psi
- Temperature: 40°F - 140°F
- Flow Rate: 10.32 GPM @ 60 psi

