



**T&S BRASS AND BRONZE WORKS, INC.**  
 2 Saddleback Cove / P.O. Box 1088  
 Travelers Rest, SC 29690

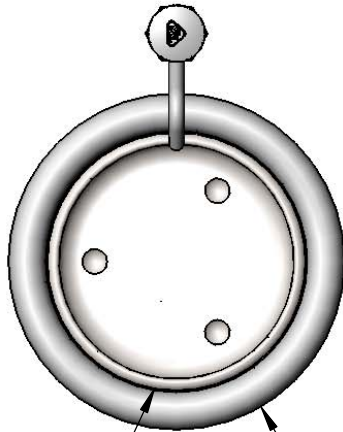
Model No.  
**B-2282-01**

Item No.

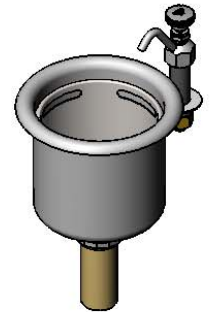
Travelers Rest, SC: 800-476-4103 • Simi Valley, CA: 800-423-0150 • Fax: 864-834-3518 • www.tsbrass.com

This Space for Architect/Engineer Approval

Job Name \_\_\_\_\_ Date \_\_\_\_\_  
 Model Specified \_\_\_\_\_ Quantity \_\_\_\_\_  
 Customer/Wholesaler \_\_\_\_\_  
 Contractor \_\_\_\_\_  
 Architect/Engineer \_\_\_\_\_



Removable Inner Overflow Cup  
 $\phi 7"$  [178mm]



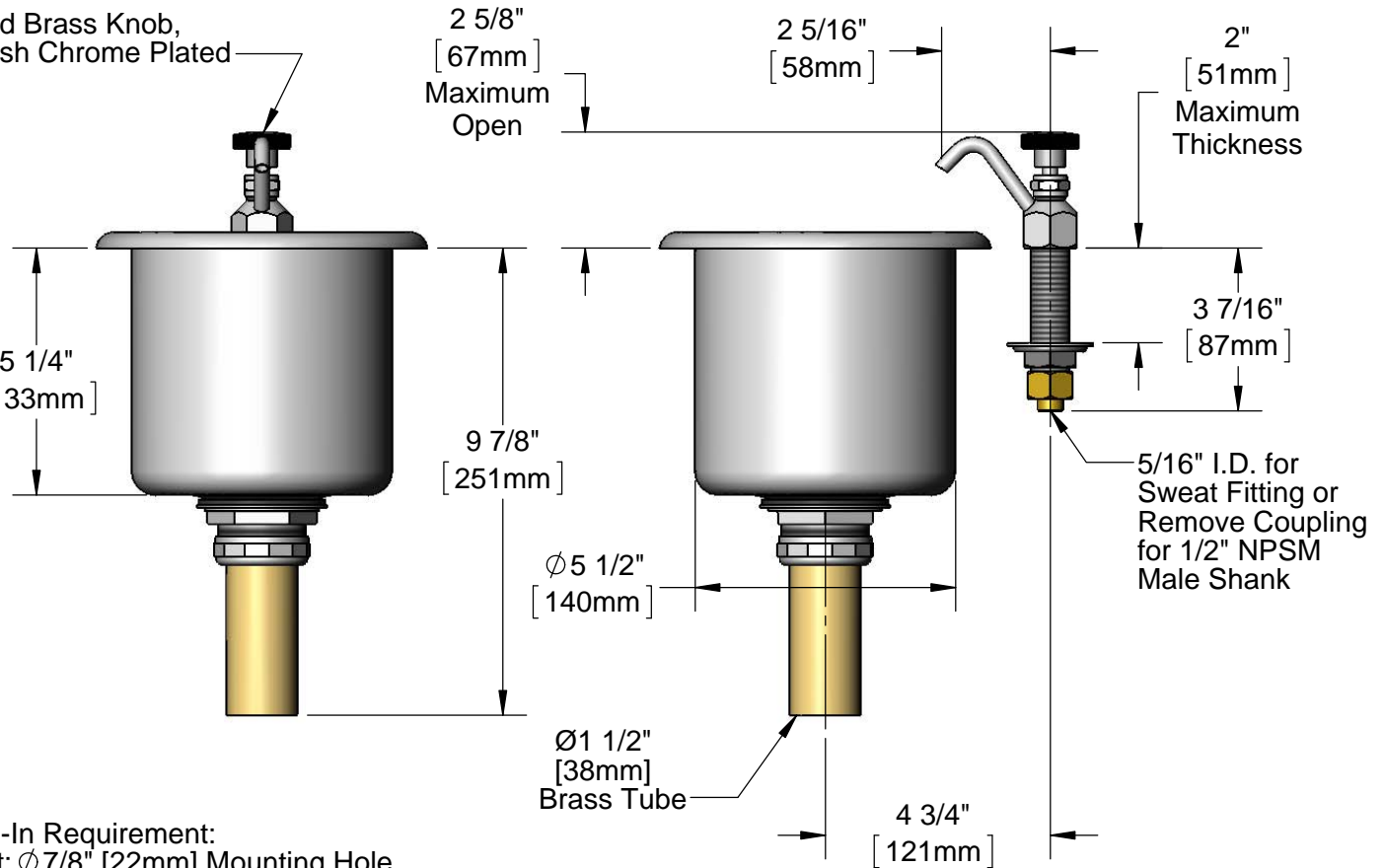
Solid Brass Knob,  
 Polish Chrome Plated

2 5/8"  
 [67mm]  
 Maximum  
 Open

2 5/16"  
 [58mm]

2"  
 [51mm]  
 Maximum  
 Thickness

5 1/4"  
 [133mm]



**Rough-In Requirement:**  
 Faucet:  $\phi 7/8"$  [22mm] Mounting Hole  
 Stainless Steel Bowl:  $\phi 5 3/4"$  [146mm] Mounting Hole

Product Specifications:  
 Dipperwell Faucet w/ Drain, Stainless Steel Bowl & Inner Overflow Cup

Product Compliance:  
 ASME A112.18.1 / CSA B125.1  
 NSF 61 - Section 9  
 NSF 372 (Low Lead Content)



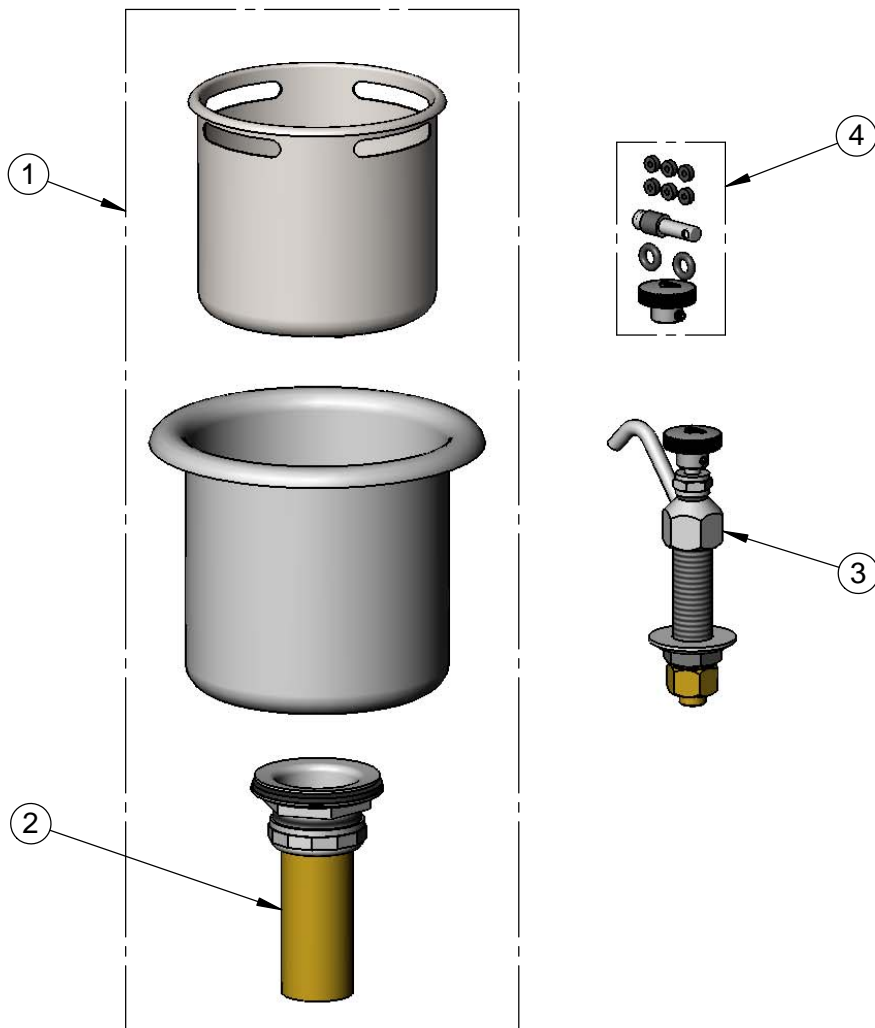
**T&S BRASS AND BRONZE WORKS, INC.**  
2 Saddleback Cove / P.O. Box 1088  
Travelers Rest, SC 29690

Model No.  
**B-2282-01**

Item No.

Travelers Rest, SC: 800-476-4103 • Simi Valley, CA: 800-423-0150 • Fax: 864-834-3518 • www.tsbrass.com

ITEM NO.	SALES NO.	DESCRIPTION
1	006678-45	Dipperwell w/ Stainless Steel Overflow Cup & Drain
2	017225-45	Dipperwell Drain
3	B-2282	Dipperwell Faucet
4	B-2282-RK	Parts Kit for Dipperwell



Product Specifications:  
Dipperwell Faucet w/ Drain, Stainless Steel Bowl & Inner Overflow Cup

Product Compliance:  
ASME A112.18.1 / CSA B125.1  
NSF 61 - Section 9  
NSF 372 (Low Lead Content)