



T&S BRASS AND BRONZE WORKS, INC.

2 Saddleback Cove / P.O. Box 1088
Travelers Rest, SC 29690



REG. #A2601
ISO #9001

Model No.

B-0198

Item No.

Travelers Rest, SC: 800-476-4103 • Simi Valley, CA: 800-423-0150 • Fax: 864-834-3518 • www.tsbrass.com

This Space for Architect/Engineer Approval

Job Name _____ Date _____

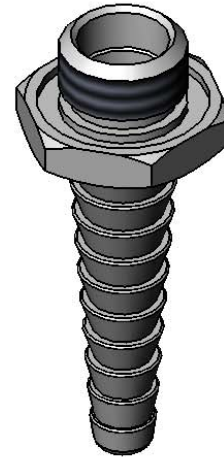
Model Specified _____ Quantity _____

Customer/Wholesaler _____

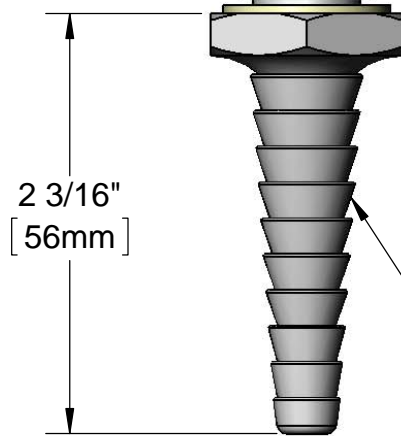
Contractor _____

Architect/Engineer _____

001051-45
Washer



3/8-18 NPT
Male Thread



2 3/16"
[56mm]

10 Serrations, Accepts
Plastic or Rubber Tubing
Up to 1/2" I.D.

Product Specifications:
Serrated Tip Outlet w/ 3/8" NPT Male Thread

Drawn

DHL

Checked

DMH

Approved

JHB

Scale:

1:1

Date:

10/03/11