



T&S BRASS AND BRONZE WORKS, INC.

2 Saddleback Cove / P.O. Box 1088
Travelers Rest, SC 29690

Model No.

B-0892-CR-HW

Item No.

Travelers Rest, SC: 800-476-4103 • Simi Valley, CA: 800-423-0150 • Fax: 864-834-3518 • www.tsbrass.com



ADA Compliant

This Space for Architect/Engineer Approval

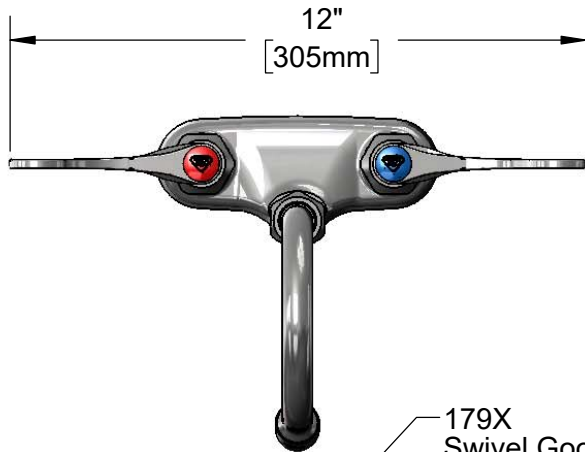
Job Name _____ Date _____

Model Specified _____ Quantity _____

Customer/Wholesaler _____

Contractor _____

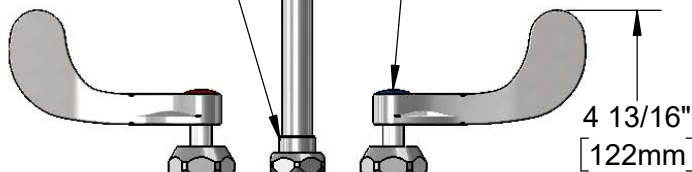
Architect/Engineer _____



179X Swivel Gooseneck w/ Stream Regulator Outlet. Converts to Rigid w/ 014200-45 Lock Washer (Included)

1.2 GPM Flow Control in Swivel Piece

Quarter-Turn Cerama Cartridges w/ Check Valves & 4" Wrist Action Handles w/ Color Coded Indexes

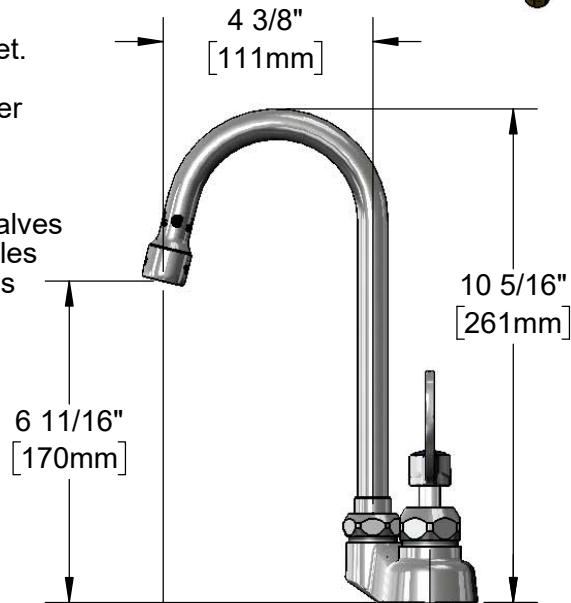
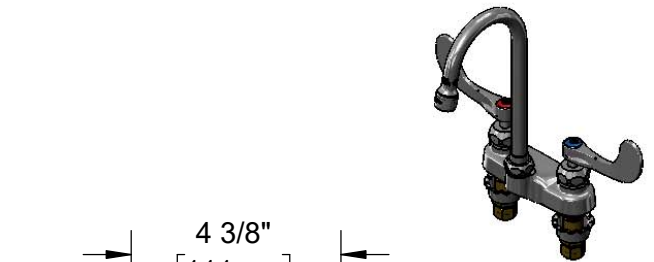


4 13/16" [122mm]

Mounting Surface

4" [102mm]
5 7/8" [149mm]

1/2" NPSM Male Shanks w/ Coupling Nuts



5 9/16" [141mm]

13/16" [21mm] Maximum Thickness

Rough-In Requirement:
(2) ϕ 1 1/8" [29mm] Mounting Holes

Product Specifications:

4" Centerset Mixing Faucet, 1/2" NPSM Male Shanks, Quarter-Turn Cerama Cartridges, 4" Wrist Action Handles, 4 3/8" Swivel Gooseneck, Stream Regulator Outlet & 1.2 GPM Flow Control

Product Compliance:

ASME A112.18.1 / CSA B125.1
NSF 61 - Section 9
NSF 372 (Low Lead Content)
ANSI A117.1 (ADA)



T&S BRASS AND BRONZE WORKS, INC.

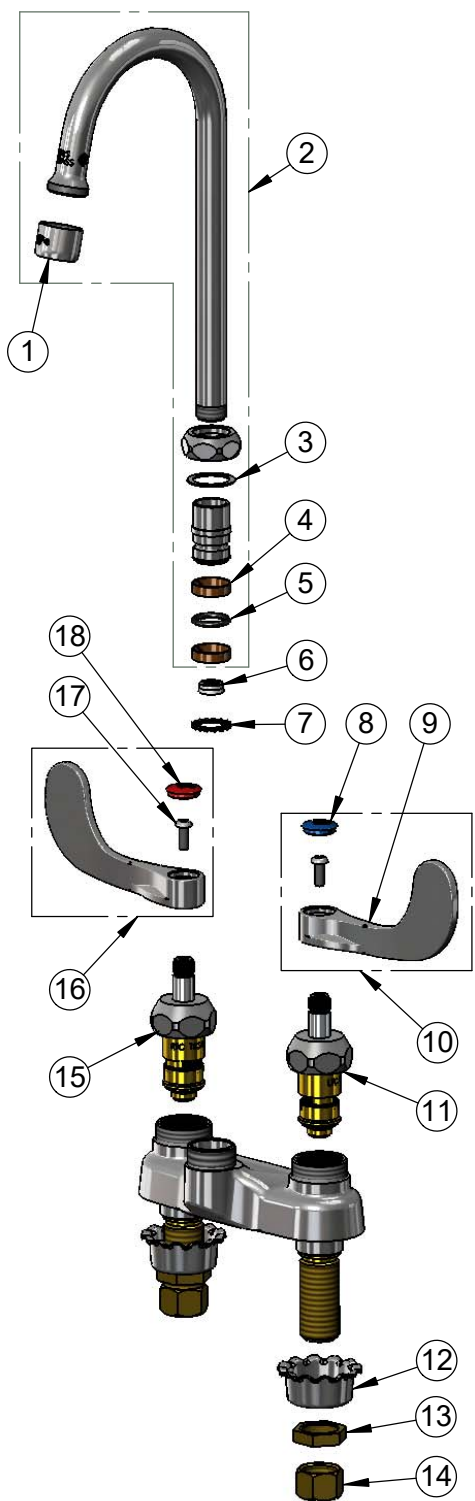
2 Saddleback Cove / P.O. Box 1088
Travelers Rest, SC 29690

Model No.

B-0892-CR-HW

Item No.

Travelers Rest, SC: 800-476-4103 • Simi Valley, CA: 800-423-0150 • Fax: 864-834-3518 • www.tsbrass.com



ITEM NO.	SALES NO.	DESCRIPTION
1	B-PT	Full Flow Stream Regulator, 55/64-27
2	179X	4 3/8" Swivel Gooseneck w/ Stream Regular Outlet
3	009538-45	Swivel Washer
4	011429-45	Swivel Sleeves (2)
5	001074-45	O-Ring
6	FD12	Flow Disc, 1.20 GPM [4.5 L/min.]
7	014200-45	Star Washer, Anti-Rotation
8	018506-19NS	Blue Button Index, Press-in
9	B-WH4-NS	Wrist Action Handle (New Style)
10	B-WH4C-NS	Wrist Action Handle, Blue Index & Screw
11	012395-25NS	Quarter-Turn Cerama Cartridge w/ Check Valve, LTC
12	001000-45	Rosette Washer
13	002954-45	Shank Lock Nut
14	000958-20	Coupling Nut
15	012394-25NS	Quarter-Turn Cerama Cartridge w/ Check Valve, RTC
16	B-WH4H-NS	Wrist Action Handle, Red Index & Screw
17	000925-45	Lab Handle Screw
18	001193-19NS	Red Button Index, Press-in

Product Specifications:

4" Centerset Mixing Faucet, 1/2" NPSM Male Shanks, Quarter-Turn Cerama Cartridges, 4" Wrist Action Handles, 4 3/8" Swivel Gooseneck, Stream Regulator Outlet & 1.2 GPM Flow Control

Product Compliance:

ASME A112.18.1 / CSA B125.1
NSF 61 - Section 9
NSF 372 (Low Lead Content)
ANSI A117.1 (ADA)