



Architect/Engineering Specifications:

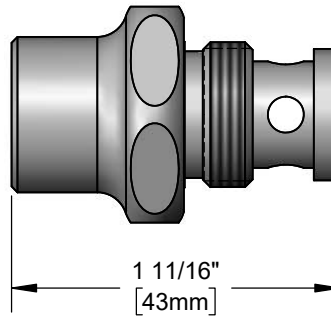
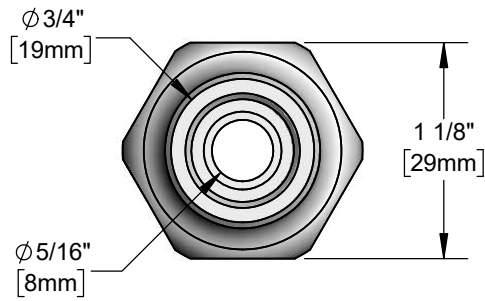
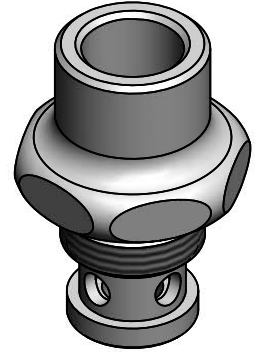
Polished chrome plated bonnet for T&S spray valve. Certified to NSF 61 Section 9 and NSF 372.

Job Name _____

Model Specified _____ Quantity _____

Variations Specified _____

Date _____



Features & Benefits:

- Bonnet for T&S spray valve
- Material: Rough chrome plated brass

Product Compliance:

- NSF 61 - Section 9
- NSF 372 (Low Lead Content)



Warranty: One Year (Limited)



Performance Data:

- N/A

