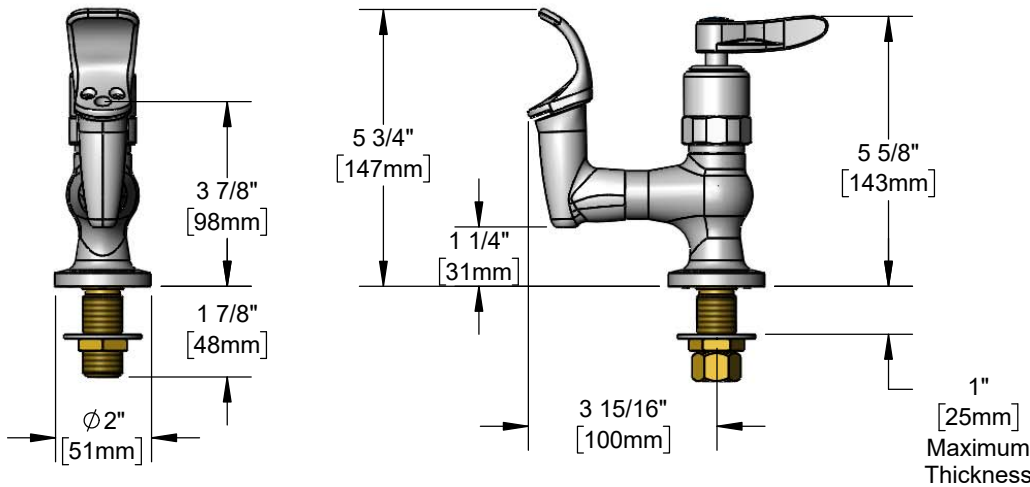
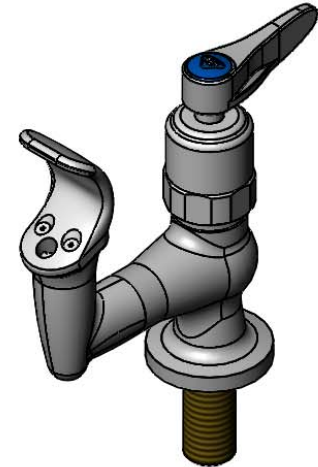




Architect/Engineering Specifications:

Deck mount bubbler with polished chrome plated brass body and mouth guard, adjustable outlet flow control, fast self-closing cartridge, lever handle, vandal resistant screw, 1/2" NPSM male inlet with coupling nut and anti-rotation screws. Certified to ASME A112.18.1/CSA B125.1, NSF 61-Section 9 and NSF 372. Meets ADA ANSI/ICC A117.1 requirements.

Job Name _____
 Model Specified _____ Quantity _____
 Variations Specified _____
 Date _____



Features & Benefits:

- Deck mount bubbler with polished chrome plated brass body and mouth guard
- Hidden flow control screw provides adjustable outlet flow
- Fast self-closing cartridge
- Lever handle w/ color coded index
- Vandal resistant screw
- 1/2" NPSM male inlet with coupling nut
- Mounting flange w/ anti-rotation set screws
- Material: Polished chrome plated brass body & mouth guard and chrome plated metal handle

Optional Cartridges

- Push Button Metering
- Wrist Action Metering
- Pivot Action Metering
- Fast Self-Closing (Standard)

Product Compliance:

- ASME A112.18.1 / CSA B125.1
- NSF 61 - Section 9
- NSF 372 (Low Lead Content)
- ANSI A117.1 (ADA)



Warranty: One Year (Limited)

Performance Data:

- Pressure: 20 - 125 psi [1.38 - 8.62 bar]
- Temperature: 40°F - 140°F [4.44°C - 60°C]
- Flow Rate:
 - @4" Distance = 0.32 GPM [1.21 L/min] @ 60 psi [4.14 bar]
 - @8" Distance = 0.43 GPM [1.63 L/min] @ 60 psi [4.14 bar]



ADA Compliant

