



T&S BRASS AND BRONZE WORKS, INC.
 2 Saddleback Cove / P.O. Box 1088
 Travelers Rest, SC 29690

Model No.
B-0520-F05

Item No.

Travelers Rest, SC: 800-476-4103 • Simi Valley, CA: 800-423-0150 • Fax: 864-834-3518 • www.tsbrass.com

This Space for Architect/Engineer Approval

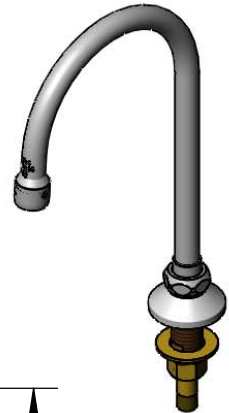
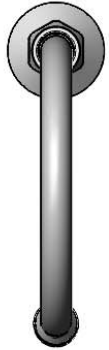
Job Name _____ Date _____

Model Specified _____ Quantity _____

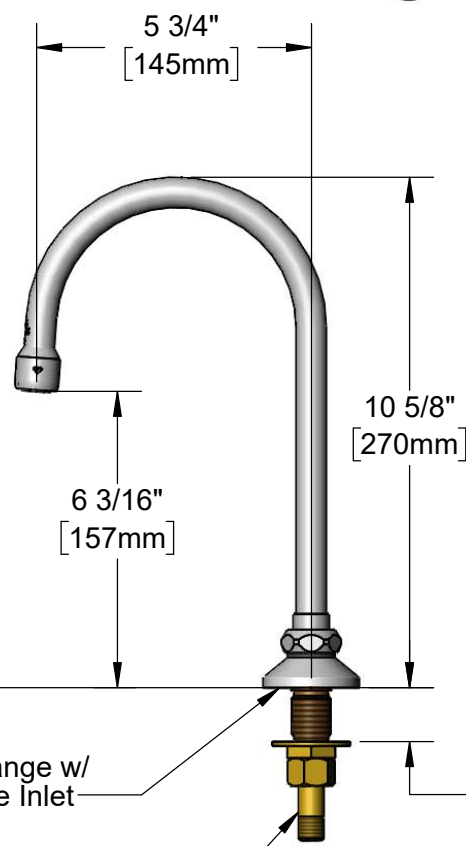
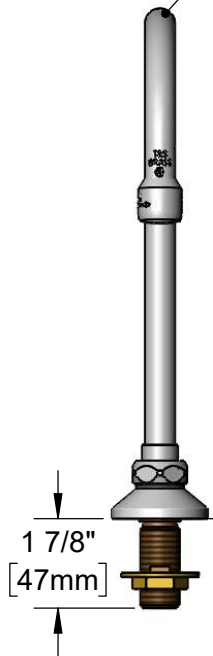
Customer/Wholesaler _____

Contractor _____

Architect/Engineer _____



5 3/4" Swivel Gooseneck w/
 B-0199-01-N05
 0.5 GPM Non-Aerated
 Spray Device.
 Rigid Conversion Requires
 014200-45 Lock Washer
 (Included)



Mounting
 Surface

Ø2" [51mm]
 Swivel Deck Flange w/
 1/2" NPSM Male Inlet

150A
 Optional Tailpiece & Nut
 for 1/2" NPT Connection
 (Included)

1 1/8"
 [29mm]
 Maximum
 Thickness

Product Specifications:

Swivel/Rigid Deck Mount Dummy Gooseneck w/ 0.5 GPM Non-Aerated
 Spray Device

Product Compliance:

ASME A112.18.1 / CSA B125.1
 NSF 61 - Section 9
 NSF 372 (Low Lead Content)



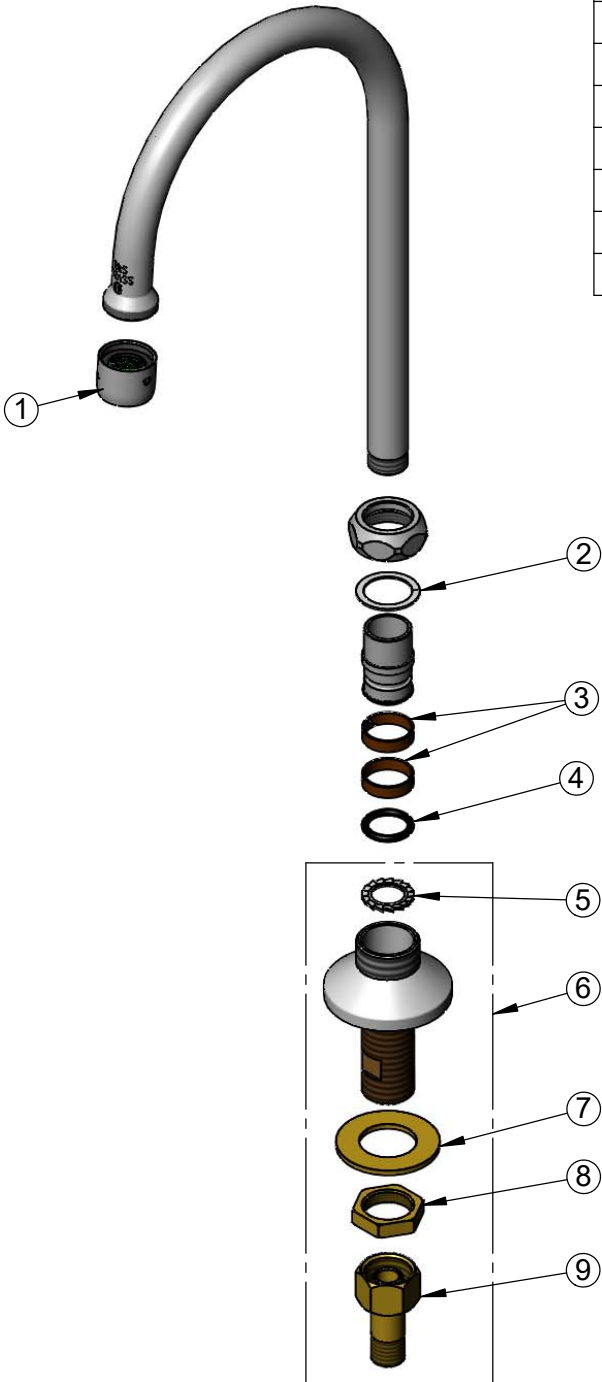
T&S BRASS AND BRONZE WORKS, INC.
 2 Saddleback Cove / P.O. Box 1088
 Travelers Rest, SC 29690

Model No.
B-0520-F05

Item No.

Travelers Rest, SC: 800-476-4103 • Simi Valley, CA: 800-423-0150 • Fax: 864-834-3518 • www.tsbrass.com

ITEM NO.	SALES NO.	DESCRIPTION
1	B-0199-01-N05	0.5 GPM Spray Device, 55/64-27 Female
2	009538-45	Swivel Washer
3	011429-45	Swivel Sleeves (2)
4	001074-45	O-Ring
5	014200-45	Star Washer, Anti-Rotation
6	B-0431	Swivel Base Deck Mount Flange
7	000999-45	Brass Lock Washer
8	002954-45	Shank Lock Nut
9	150A	1/4" NPT Tailpiece & Nut



Product Specifications:
 Swivel/Rigid Deck Mount Dummy Gooseneck w/ 0.5 GPM Non-Aerated Spray Device

Product Compliance:
 ASME A112.18.1 / CSA B125.1
 NSF 61 - Section 9
 NSF 372 (Low Lead Content)