



Architect/Engineering Specifications:

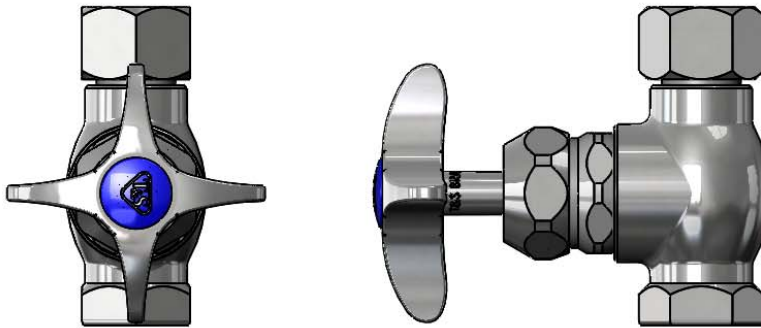
1/2" NPT female inlet, 1-14 UN swivel nut outlet valve, large flow cartridge, and 4-arm handle. Certified to ASME A112.18.1/CSA B125.1, NSF 61 Section 9 and NSF 372. Meets ADA ANSI/ICC A117.1 requirements.

Job Name _____

Model Specified _____ Quantity _____

Variations Specified _____

Date _____



Features & Benefits:

- 1/2" NPT female inlet x 1-14 UN swivel nut outlet shut-off valve
- 4-Arm handle
- Big-Flo Cartridge
- Material: Chrome plated brass body and chrome plated metal handle

Product Compliance:

- ASME A112.18.1 / CSA B125.1
- NSF 61 - Section 9
- NSF 372 (Low Lead Content)
- ANSI A117.1 (ADA)

Warranty: One Year (Limited)

Performance Data:

- Pressure: 20 - 125 psi
- Temperature: 40 °F - 140 °F
- Flow Rate: 8.96 GPM @ 60 psi

