



**T&S BRASS AND BRONZE WORKS, INC.**  
 2 Saddleback Cove / P.O. Box 1088  
 Travelers Rest, SC 29690

Model No.  
**B-0107-090**

Item No.

Travelers Rest, SC: 800-476-4103 • Simi Valley, CA: 800-423-0150 • Fax: 864-834-3518 • www.tsbrass.com

This Space for Architect/Engineer Approval

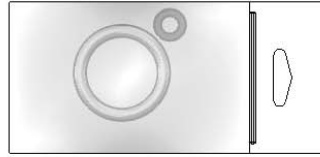
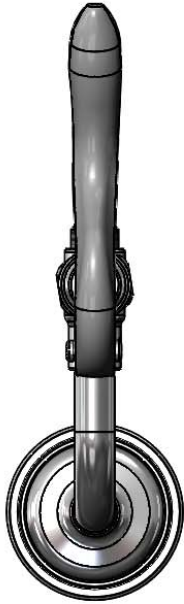
Job Name \_\_\_\_\_ Date \_\_\_\_\_

Model Specified \_\_\_\_\_ Quantity \_\_\_\_\_

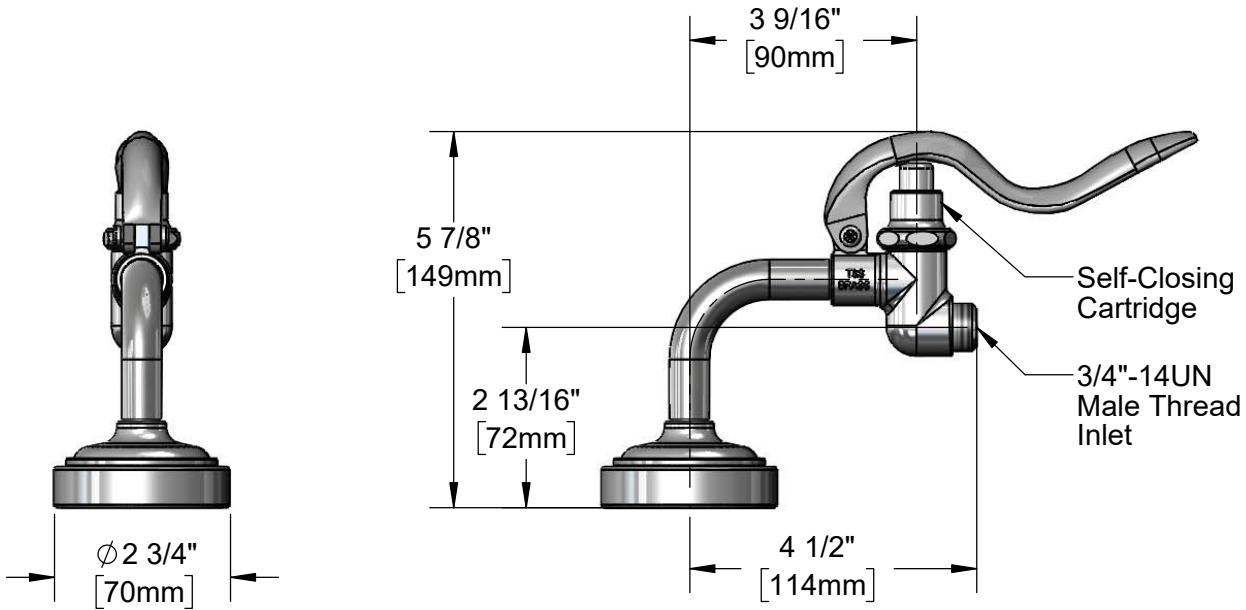
Customer/Wholesaler \_\_\_\_\_

Contractor \_\_\_\_\_

Architect/Engineer \_\_\_\_\_



Hose Washer &  
 Hold Down Ring  
 (Included)



Flow Rate: 1.15 GPM (4.35 Lpm) @ 60 psi  
 Spray Force: 7.5 Ozf (212 Gramf) @ 60 psi

Product Specifications:  
 Spray Valve Unit w/ 90 Degree Angle 1.15 GPM Nozzle

Product Compliance:  
 ASME A112.18.1 / CSA B125.1  
 NSF 61 - Section 9  
 NSF 372 (Low Lead Content)  
 2019 DOE PRSV - Class II



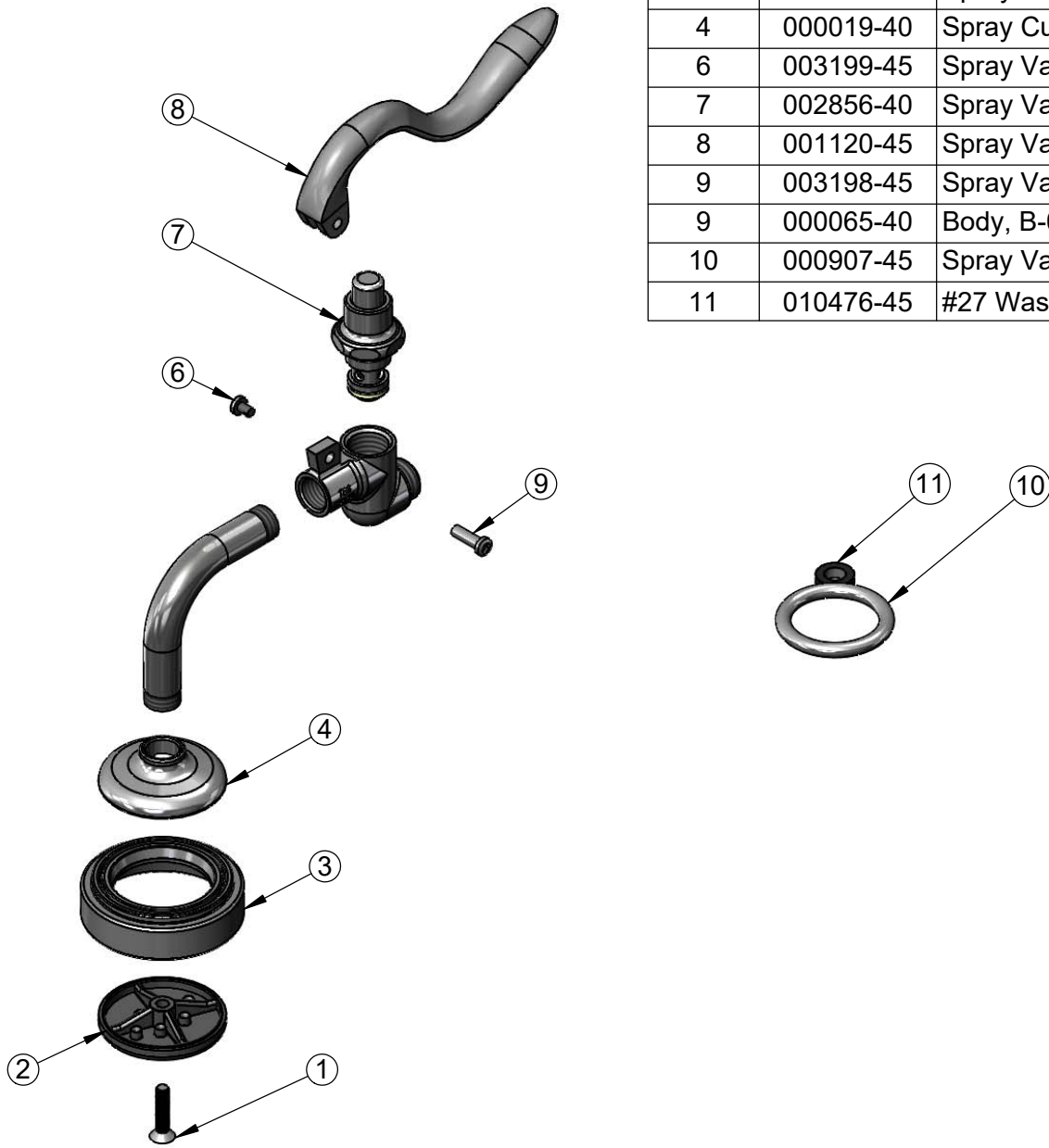
**T&S BRASS AND BRONZE WORKS, INC.**  
 2 Saddleback Cove / P.O. Box 1088  
 Travelers Rest, SC 29690

Model No.  
**B-0107-090**

Item No.

Travelers Rest, SC: 800-476-4103 • Simi Valley, CA: 800-423-0150 • Fax: 864-834-3518 • www.tsbrass.com

ITEM NO.	SALES NO.	DESCRIPTION
1	000913-45	Screw
2	001121-45	Spray Valve Spray Face
3	007861-45	Spray Valve Sprayhead Ring
4	000019-40	Spray Cup, B-0107
6	003199-45	Spray Valve Handle Screw
7	002856-40	Spray Valve Bonnet
8	001120-45	Spray Valve Handle
9	003198-45	Spray Valve Handle Nut
9	000065-40	Body, B-0107
10	000907-45	Spray Valve Hold Down Ring
11	010476-45	#27 Washer



Product Specifications:  
 Spray Valve Unit w/ 90 Degree Angle 1.15 GPM Nozzle

Product Compliance:  
 ASME A112.18.1 / CSA B125.1  
 NSF 61 - Section 9  
 NSF 372 (Low Lead Content)  
 2019 DOE PRSV - Class II