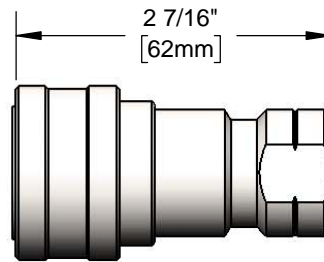
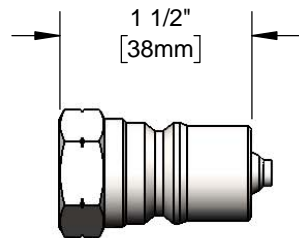
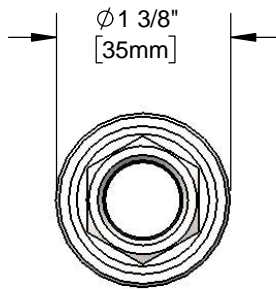
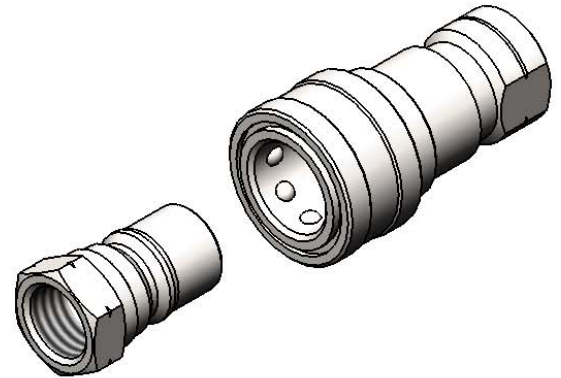


**Architect/Engineering Specifications:**

Water appliance stainless steel quick-disconnect, 3/8" NPT inlet and outlet. Certified to ASME A112.18.1/CSA B125.1, NSF 61-Section 9 and NSF 372.

Job Name _____
Model Specified _____ Quantity _____
Variations Specified _____
Date _____

**Features & Benefits:**

- Water appliance stainless steel quick-disconnect
- 3/8" NPT female inlet and outlet
- Valved for leak free disconnection
- Material: Stainless steel

**Product Compliance:**

- ASME A112.18.1 / CSA B125.1
- NSF 61 - Section 9
- NSF 372 (Low Lead Content)



**Warranty:** One Year (Limited)

**Performance Data:**

- Pressure: 20 - 125 psi max
- Temperature: 32 °F to 125 °F

