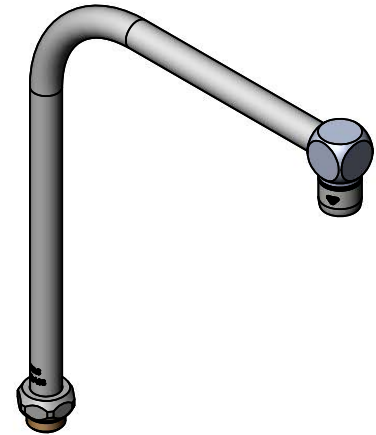
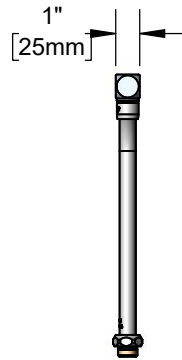
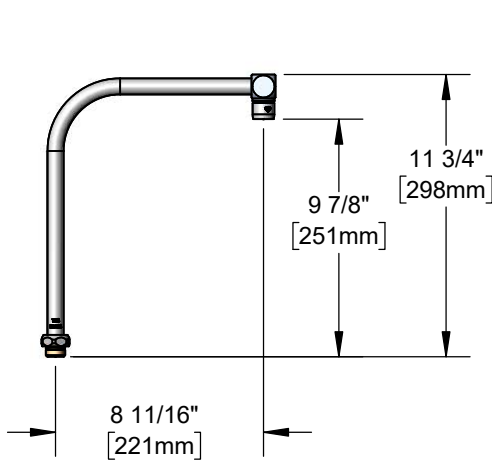




Architect/Engineering Specifications:

High-arc swivel/rigid gooseneck with 2.2 GPM aerator. Certified to ASME A112.1 / CSA B125.1, NSF 61 - Section 9 and NSF 372.

Job Name _____
 Model Specified _____ Quantity _____
 Variations Specified _____
 Date _____



Features & Benefits:

- 8 11/16 high-arc swivel/rigid gooseneck
- 2.2 GPM aerator, Series 1 (B-0199-01)
- Material: Chrome plated tubular spout

Product Compliance:

- ASME A112.18.1 / CSA B125.1
- NSF 61 - Section 9
- NSF 372 (Low Lead Content)



Warranty: One Year (Limited)



Performance Data:

- Pressure: 20 - 125 psi
- Temperature: 40 °F - 140 °F
- Flow Rate: 2.2 GPM @ 60 psi

Optional Add-On Faucet Outlets (Series 1 / VR Series 6)

GPM	Aerated	VR Aerated
1.0	<input type="checkbox"/> B-0199-01-F10	<input type="checkbox"/> B-0199-06-F10
1.5	<input type="checkbox"/> B-0199-01-WS	<input type="checkbox"/> B-0199-06-WS
2.2	Standard	<input type="checkbox"/> B-0199-06

