



T&S BRASS AND BRONZE WORKS, INC.

2 Saddleback Cove / P.O. Box 1088
Travelers Rest, SC 29690

Model No.

B-0712-VF05-PA

Item No.

Travelers Rest, SC: 800-476-4103 • Simi Valley, CA: 800-423-0150 • Fax: 864-834-3518 • www.tsbrass.com



ADA Compliant

This Space for Architect/Engineer Approval

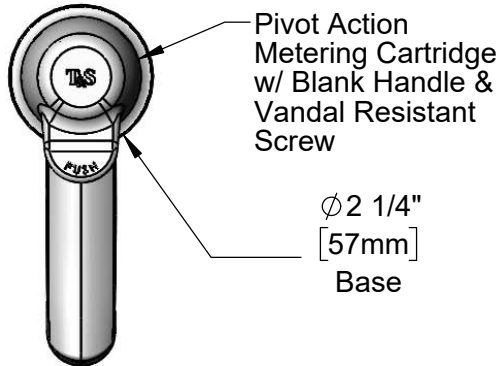
Job Name _____ Date _____

Model Specified _____ Quantity _____

Customer/Wholesaler _____

Contractor _____

Architect/Engineer _____



Pivot Action
Metering Cartridge
w/ Blank Handle &
Vandal Resistant
Screw

Ø 2 1/4"
[57mm]
Base



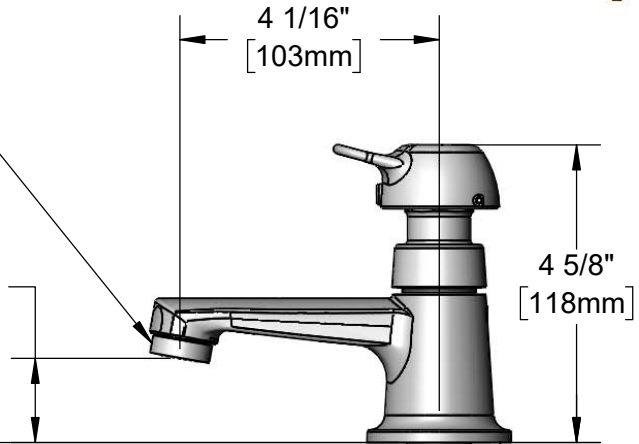
B-0199-08-N05
VR 0.5 GPM
Non-Aerated
Spray Device

Loosen Vandal Resistant
Screw (Do Not Remove).
Flip Handle Up to Access
Metering Adjustment.
(Metering Adjustment
Requires 3/32" Hex Key)



Ø 1 3/4"
[44mm]
Base

Mounting Surface



4 1/16"
[103mm]

1 5/16"
[33mm]

4 5/8"
[118mm]

2 5/16"
[59mm]

1/2" NPSM
Male Inlet

150A
Optional Tailpiece
& Nut for 1/4" NPT
Connection (Included)

13/16"
[21mm]
Maximum
Thickness



Spanner Bit for Access
to Metering Adjustment
(Included)



Vandal Resistant Key
(Included)

Rough-In Requirement:
Ø 1 1/8" [29mm] Mounting Hole

Product Specifications:
Single Hole, Single Temperature Deck Mount Sill Faucet, Pivot Action
Metering Cartridge, VR 0.5 GPM Non-Aerated Spray Device &
1/2" NPSM Male Inlet

Product Compliance:
ASME A112.18.1 / CSA B125.1
NSF 61 - Section 9
NSF 372 (Low Lead Content)
ANSI A117.1 (ADA)



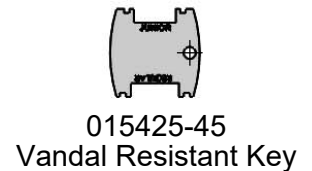
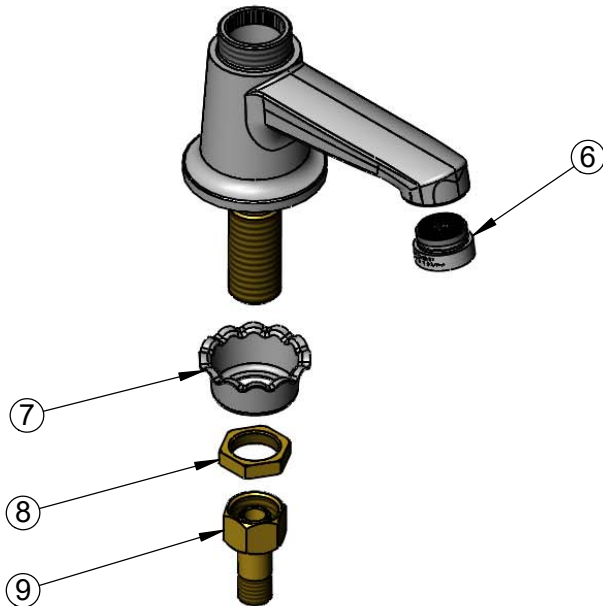
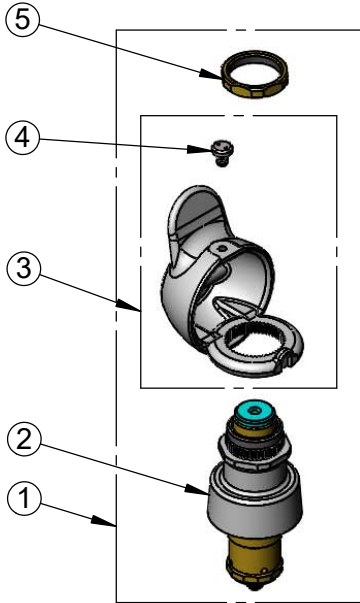
T&S BRASS AND BRONZE WORKS, INC.
 2 Saddleback Cove / P.O. Box 1088
 Travelers Rest, SC 29690

Model No.
B-0712-VF05-PA

Item No.

Travelers Rest, SC: 800-476-4103 • Simi Valley, CA: 800-423-0150 • Fax: 864-834-3518 • www.tsbrass.com

ITEM NO.	SALES NO.	DESCRIPTION
1	238AB-PA	Pivot Action Metering Cartridge w/ Blank PA Handle & Spanner Bit
2	238A-PA	Pivot Action Metering Cartridge w/ Retaining Nut
3	PA-B	Blank Pivot Action Handle w/ Spanner Bit
4	016654-45	Vandal Resistant SS Screw
5	PA-N	Retaining Nut
6	B-0199-08-N05	0.5 GPM VR Spray Device, 13/16-27 Male
7	001000-45	Rosette Washer
8	002954-45	Shank Lock Nut
9	150A	1/4" NPT Tailpiece & Nut



Product Specifications:
 Single Hole, Single Temperature Deck Mount Sill Faucet, Pivot Action Metering Cartridge, VR 0.5 GPM Non-Aerated Spray Device & 1/2" NPSM Male Inlet

Product Compliance:
 ASME A112.18.1 / CSA B125.1
 NSF 61 - Section 9
 NSF 372 (Low Lead Content)
 ANSI A117.1 (ADA)