

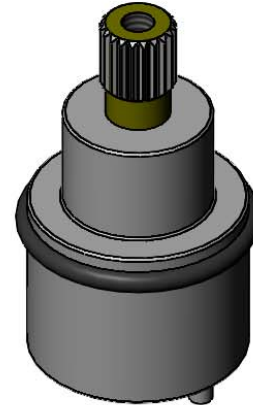
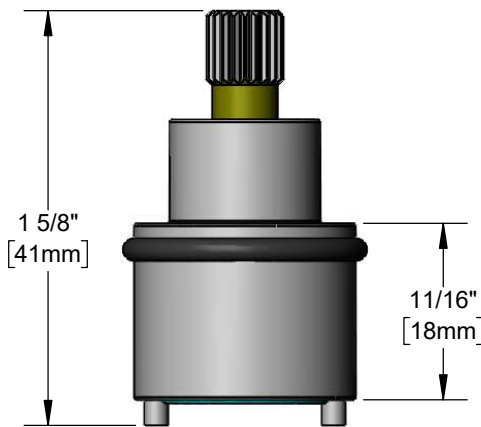


ULTRARINSE Diverter Cartridge

Architect/Engineering Specifications:

ULTRARINSE Diverter Cartridge with 180° operation. Certified to ASME A112.18.1 / CSA B125.1, NSF 61-Section 9 and NSF 372.

Job Name \_\_\_\_\_  
 Model Specified \_\_\_\_\_ Quantity \_\_\_\_\_  
 Variations Specified \_\_\_\_\_  
 Date \_\_\_\_\_



Features & Benefits:

- ULTRARINSE Diverter cartridge with 180° operation
- Material: Plastic and ceramic

Product Compliance:

- ASME A112.18 / CSA B125.1
- NSF 61 - Section 9
- NSF 372 (Low Lead Content)

Warranty: One Year (Limited)

Performance Data:

- Pressure: 20 - 125 psi [1.38 - 8.62 bar]
- Temperature: 40 °F - 140 °F [4.44 °C - 60 °C]
- Flow Rate: 8.68 GPM [32.86 L/min] @ 60 psi [4.14 bar]

