



**T&S BRASS AND BRONZE WORKS, INC.**  
 2 Saddleback Cove / P.O. Box 1088  
 Travelers Rest, SC 29690

Model No.  
**EB-0107-J-SWV**

Item No.

Travelers Rest, SC: 800-476-4103 • Simi Valley, CA: 800-423-0150 • Fax: 864-834-3518 • www.tsbrass.com

This Space for Architect/Engineer Approval

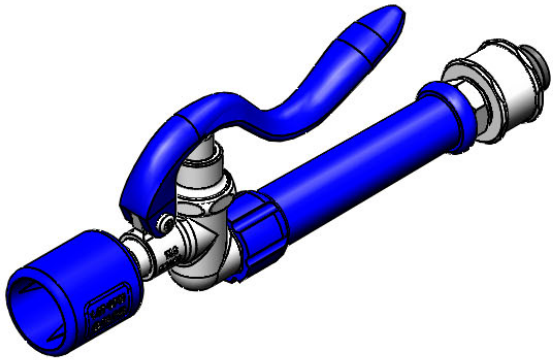
Job Name \_\_\_\_\_ Date \_\_\_\_\_

Model Specified \_\_\_\_\_ Quantity \_\_\_\_\_

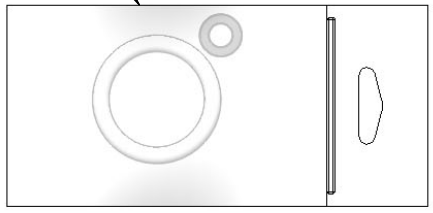
Customer/Wholesaler \_\_\_\_\_

Contractor \_\_\_\_\_

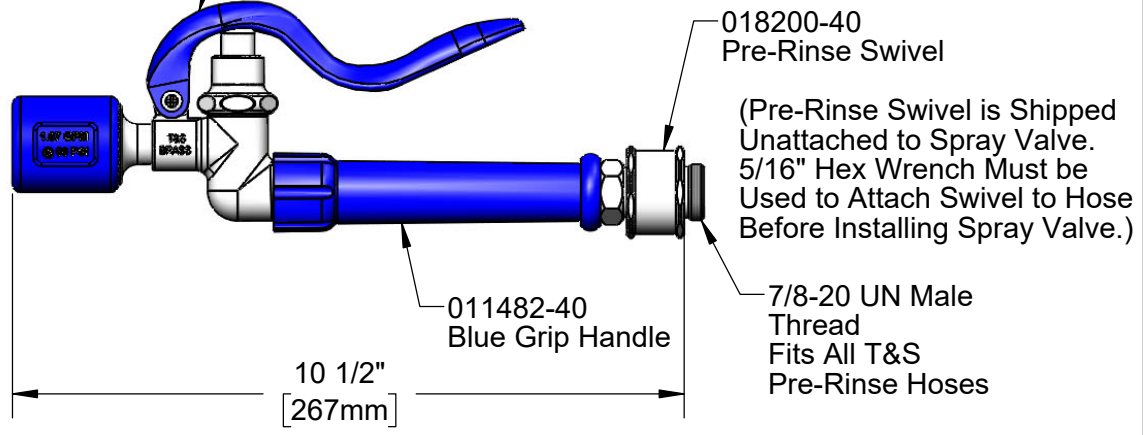
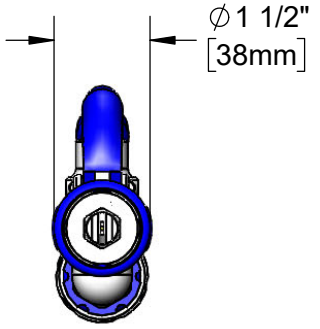
Architect/Engineer \_\_\_\_\_



Hose Washer & Hold Down Ring (Included)



EB-0107-J  
 1.07 GPM  
 Spray Valve



Product Specifications:  
 Pre-Rinse Unit Accessory:  
 Blue 1.07 GPM Spray Valve w/ Pre-Rinse Swivel

Product Compliance:  
 ASME A112.18.1 / CSA B125.1  
 NSF 61 - Section 9  
 NSF 372 (Low Lead Content)  
 2019 DOE PRSV - Class II



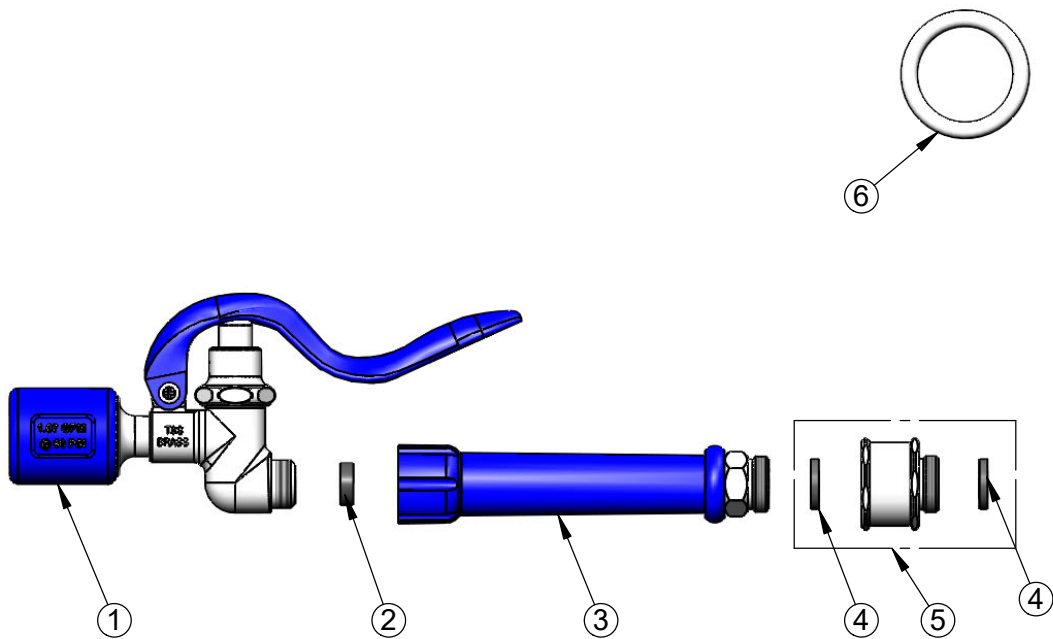
**T&S BRASS AND BRONZE WORKS, INC.**  
 2 Saddleback Cove / P.O. Box 1088  
 Travelers Rest, SC 29690

Model No.  
**EB-0107-J-SWV**

Item No.

Travelers Rest, SC: 800-476-4103 • Simi Valley, CA: 800-423-0150 • Fax: 864-834-3518 • www.tsbrass.com

ITEM NO.	SALES NO.	DESCRIPTION
1	EB-0107-J	1.07 GPM Spray Valve w/ Hold Down Ring & Washer
2	010476-45	#27 Washer
3	011482-40	Blue Grip Handle
4	001014-45	Washer, B-0100 Hose Barrel
5	018200-40	Pre-Rinse Swivel w/ 2 Washers
6	000907-45	Spray Valve Hold Down Ring



Product Specifications:  
 Pre-Rinse Unit Accessory:  
 Blue 1.07 GPM Spray Valve w/ Pre-Rinse Swivel

Product Compliance:  
 ASME A112.18.1 / CSA B125.1  
 NSF 61 - Section 9  
 NSF 372 (Low Lead Content)  
 2019 DOE PRSV - Class II