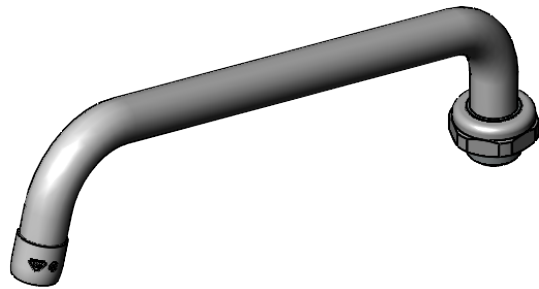
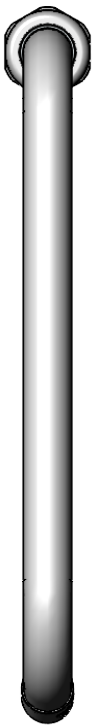
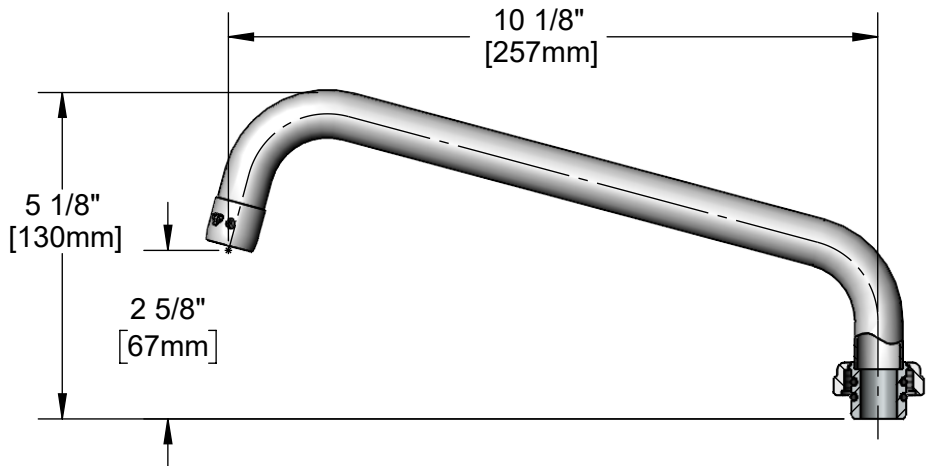


This Space for Architect/Engineer Approval

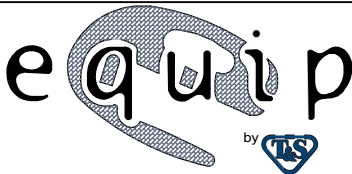
Job Name _____ Date _____
 Model Specified _____ Quantity _____
 Customer/Wholesaler _____
 Contractor _____
 Architect/Engineer _____



Laminar Flow
Outlet Device



Note:
 Conversion to Rigid Requires 014200-45 Lock Washer
 (Available Separately)

| | | | | | |
|--|--|-----------|-----------|------------|---------------|
| Model Number <h2 style="text-align: center;">5SP-10</h2> | Product Specifications: <h3 style="text-align: center;">10" Swing Nozzle w/ Laminar Flow Outlet Device</h3> | | | | |
| Product Compliance: ASME A112.18.1 / CSA B125.1 NSF 61 - Section 9 NSF 372 (Low Lead Content) | <div style="display: flex; justify-content: space-between; align-items: center;"> <div data-bbox="600 1906 738 1980" style="text-align: center;"> <p>equip Foodservice Accessories</p> </div> <div data-bbox="747 1858 1096 2030" style="text-align: center;">  </div> <div data-bbox="1104 1896 1550 1995" style="text-align: right;"> <p>2 Saddleback Cove, P.O. Box 1088 Travelers Rest, South Carolina 29690 Phone: 800.891.4808 Fax: 800.868.0084 equip.tsbrass.com</p> </div> </div> | | | | |
| Drawn: TRK | Checked: JRM | Approved: | Date: JHB | Scale: 1:3 | Sheet: 1 of 1 |