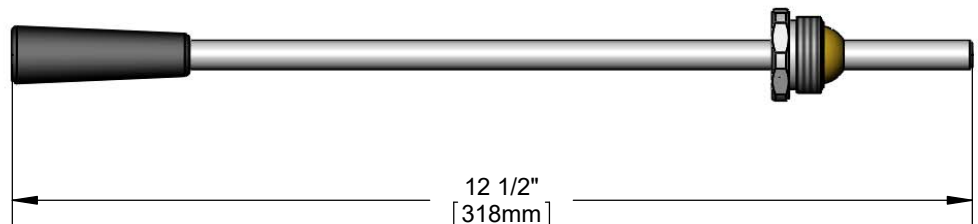
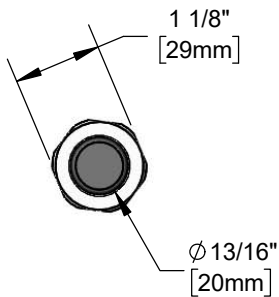
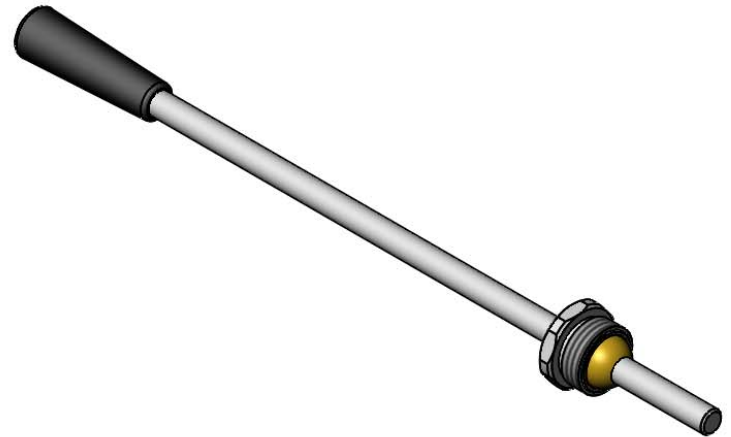




Architect/Engineering Specifications:

Stainless steel lever handle.

Job Name _____
 Model Specified _____ Quantity _____
 Variations Specified _____
 Date _____



Features & Benefits:

- Stainless steel lever handle
- Fits all T&S lever waste drains
- Material: Stainless steel and thermoplastic handle

Product Compliance:

- N/A

Warranty: One Year (Limited)

Performance Data:

- N/A

