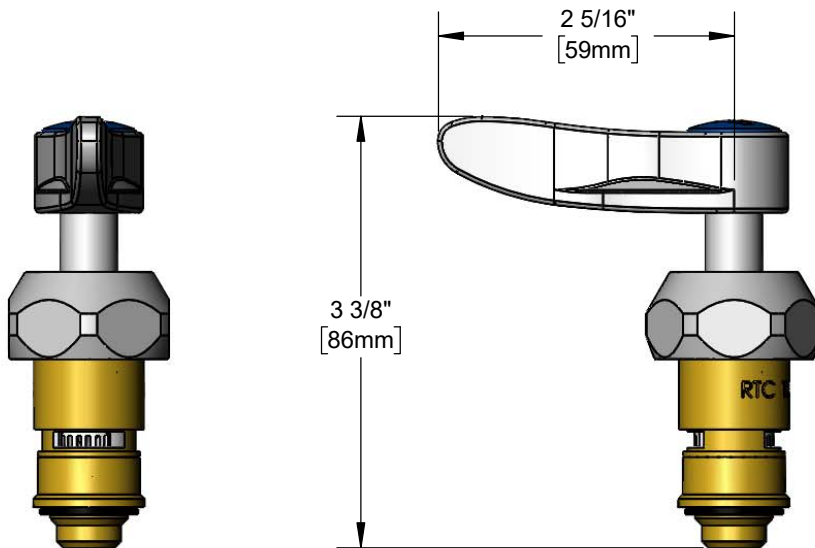
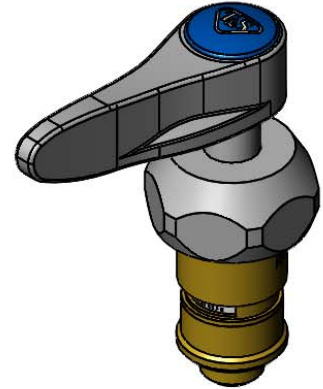




**Architect/Engineering Specifications:**

Cerama Cartridge, RTC with check valve, lever handle, blue index and screw. Certified to NSF 61-Section 9 and NSF 372. Meets ADA ANSI/ICC A117.1 requirements.

Job Name _____
Model Specified _____ Quantity _____
Variations Specified _____
Date _____



**Features & Benefits:**

- Quarter-turn Cerama cartridge with check valve to prevent cross flow of water
- Lever handle w/ blue index and screw
- Material: Chrome plated brass and chrome plated metal handle

**Product Compliance:**

- ASME A112.18.1 / CSA B125.1
- NSF 61 - Section 9
- NSF 372 (Low Lead Content)
- ANSI A117.1 (ADA)

**Warranty:** Lifetime (Limited)

**Performance Data:**

- Pressure: 20 - 125 psi [1.38 - 8.62 bar]
- Temperature: 40 °F - 180 °F [4.44 ° - 82 °C]
- Flow Rate: 6.19 GPM [23.43 L/min] @ 60 psi [4.14 bar]



**ADA Compliant**

