



**Architect/Engineering Specifications:**

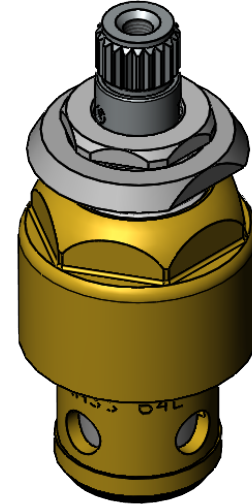
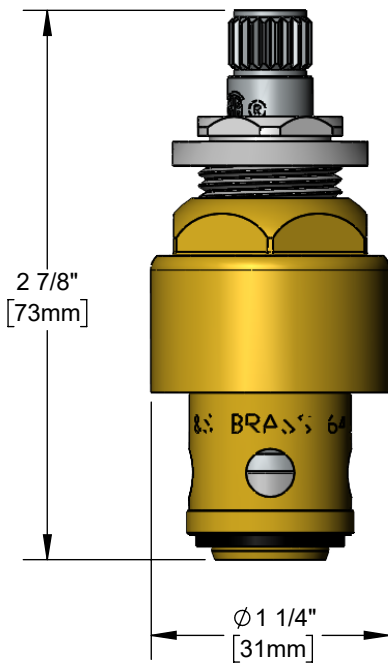
Concealed widespread EasyInstall Eterna, RTC with spring check. Certified to ASME A112.18.1 / CSA B125.1, NSF 61- Section 9 and NSF 372.

Job Name \_\_\_\_\_

Model Specified \_\_\_\_\_ Quantity \_\_\_\_\_

Variations Specified \_\_\_\_\_

Date \_\_\_\_\_



**Features & Benefits:**

- Concealed widespread EasyInstall quarter-turn Eterna compression cartridge, RTC with spring check to prevent cross of water
- Material: Brass

**Product Compliance:**

- ASME A112.18.1 / CSA B125.1
- NSF 61 - Section 9
- NSF 372 (Low Lead Content)



**Warranty:** One Year (Limited)



**Performance Data:**

- Pressure: 20 - 125 psi [1.38 - 8.62 bar]
- Temperature: 40°F - 140°F [4.44°C - 60°C]
- Flow Rate: 11.25 GPM [42.59 L/min] @ 60 psi [4.14 bar]

