



T&S BRASS AND BRONZE WORKS, INC.
 2 Saddleback Cove / P.O. Box 1088
 Travelers Rest, SC 29690



REG. #A2601
 ISO #9001

Model No.
017454-45

Item No.

Travelers Rest, SC: 800-476-4500 | San Jose Valley, CA: 800-423-0750 | Fax: 864-834-3510 | www.tsbrass.com

This Space for Architect/Engineer Approval

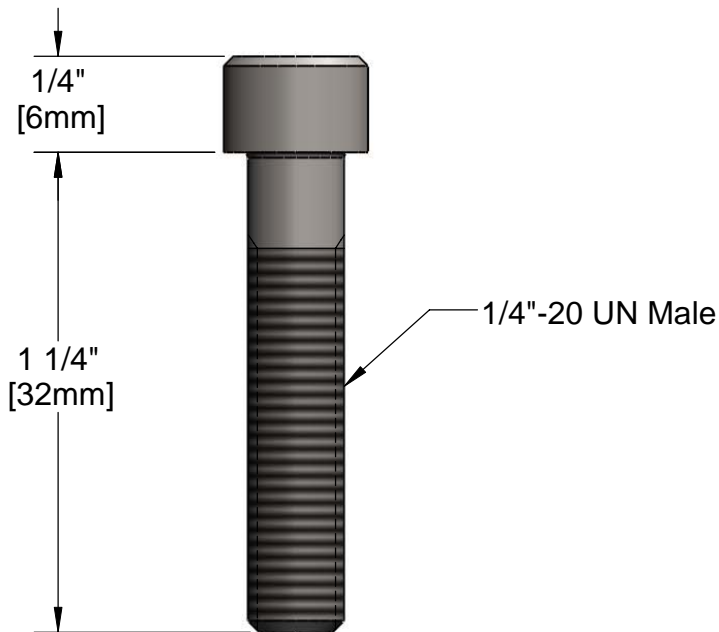
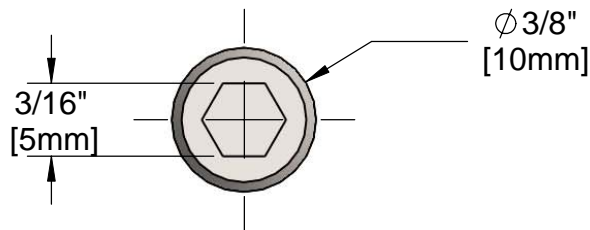
Job Name _____ Date _____

Model Specified _____ Quantity _____

Customer/Wholesaler _____

Contractor _____

Architect/Engineer _____



Product Specifications:
1/4-20 UN Stainless Steel SHCS

Drawn KJG	Checked GEF	Approved JHB
Scale: 2:1		Date: 05/26/09