



T&S BRASS AND BRONZE WORKS, INC.

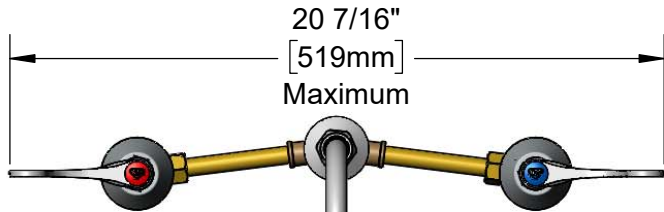
2 Saddleback Cove / P.O. Box 1088
Travelers Rest, SC 29690

Model No.

B-0865-04L

Item No.

Travelers Rest, SC: 800-476-4103 • Simi Valley, CA: 800-423-0150 • Fax: 864-834-3518 • www.tsbrass.com



20 7/16"
[519mm]
Maximum

5 3/4" Swivel Gooseneck w/
B-0103-01
2.2 GPM Rosespray Outlet.
Rigid Conversion Requires
014200-45 Lock Washer
(Included)

This Space for Architect/Engineer Approval

Job Name _____ Date _____

Model Specified _____ Quantity _____

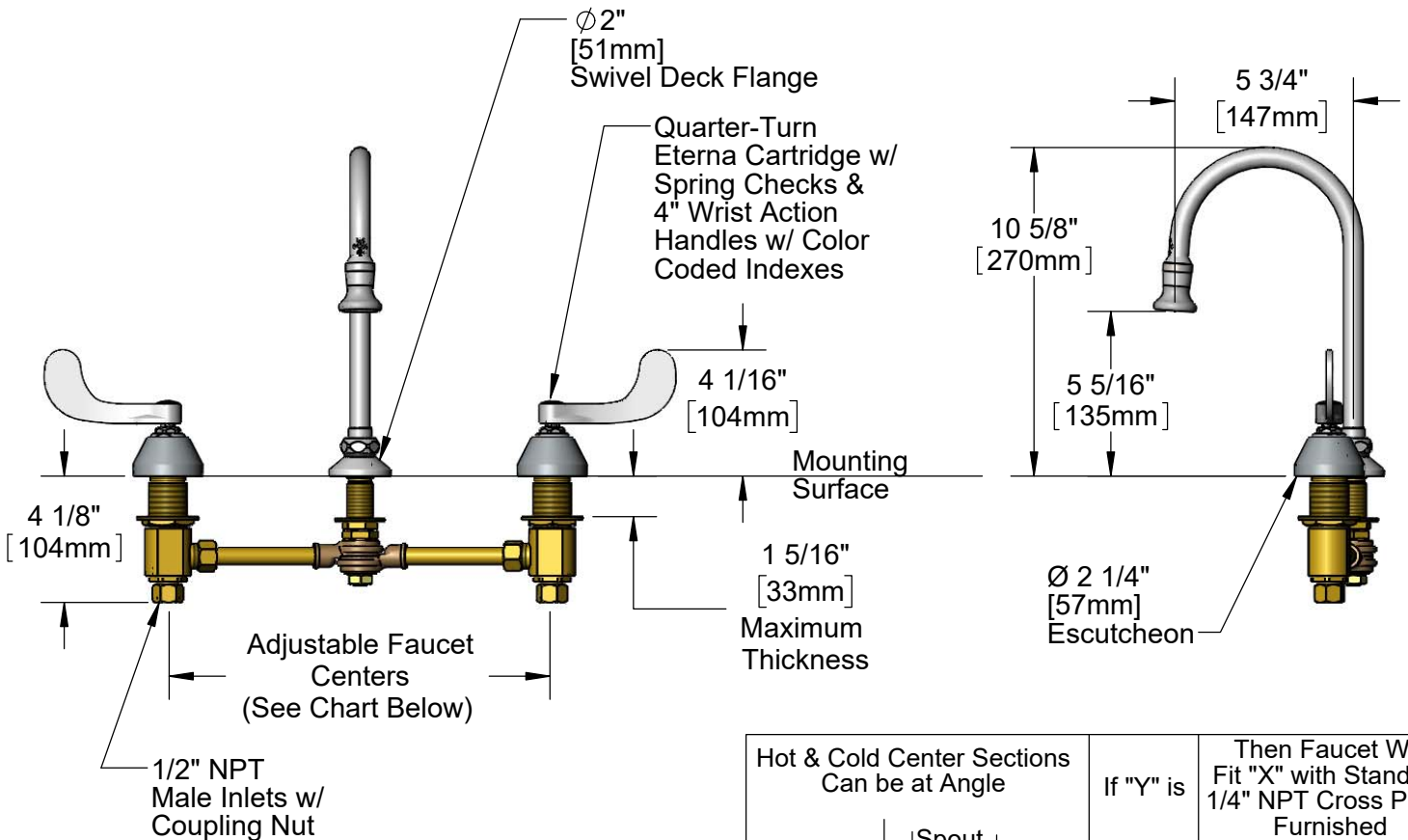
Customer/Wholesaler _____

Contractor _____

Architect/Engineer _____



ADA Compliant



Hot & Cold Center Sections Can be at Angle	If "Y" is	Then Faucet Will Fit "X" with Standard 1/4" NPT Cross Pipes Furnished
	1/2"	12"
	1"	11 3/4"
	1 1/2"	11 3/8"
	2"	11"

Rough-In Requirements:
Center Shank: $\phi 1"$ [25mm] Mounting Hole
Hot/Cold Bodies: $\phi 1 1/2"$ [38mm] Mounting Holes

Product Specifications:
12" Adjustable Centers Deck Mount Mixing Faucet, Quarter-Turn Eterna Cartridges w/ Spring Checks, 4" Wrist Action Handles, Rigid/Swivel Gooseneck w/ 2.2 GPM Rosespray Outlet & 1/2" NPT Male Inlets w/ Coupling Nuts

Product Compliance:
ASME A112.18.1 / CSA B125.1
NSF 61 - Section 9
NSF 372 (Low Lead Content)
ANSI A117.1 (ADA)



T&S BRASS AND BRONZE WORKS, INC.

2 Saddleback Cove / P.O. Box 1088
Travelers Rest, SC 29690

Model No.

B-0865-04L

Item No.

Travelers Rest, SC: 800-476-4103 • Simi Valley, CA: 800-423-0150 • Fax: 864-834-3518 • www.tsbrass.com

ITEM NO.	SALES NO.	DESCRIPTION
1	B-0103	2.2 GPM Rosespray, 3/8-18 NPT Male
2	B-0103-01	2.2 GPM Rosespray w/ Adapter
3	009538-45	Swivel Washer
4	011429-45	Swivel Sleeves (2)
5	001074-45	O-Ring
6	014200-45	Star Washer, Anti-Rotation
7	018506-19NS	Blue Button Index, Press-in
8	000925-45	Lab Handle Screw
9	B-WH4-NS	Wrist Action Handle - New Style
10	B-WH4C-NS	Wrist Action Handle, Blue Index & Screw
11	006477-40NS	CWS Quarter-Turn Eterna Cartridge w/ Spring Check, LTC
12	161A-NS	B-0850 Side Body - Cold
13	000958-20	Coupling Nut
14	162A-NS	B-0850 Side Body - Hot
15	006478-40NS	CWS Quarter-Turn Eterna Cartridge w/ Spring Check, RTC
16	001257-40NS	Bell Escutcheon
17	B-WH4H-NS	Wrist Action Handle, Red Index & Screw
18	001193-19NS	Red Button Index, Press-in

Product Specifications:
12" Adjustable Centers Deck Mount Mixing Faucet, Quarter-Turn Eterna Cartridges w/ Spring Checks, 4" Wrist Action Handles, Rigid/Swivel Gooseneck w/ 2.2 GPM Rosespray Outlet & 1/2" NPT Male Inlets w/ Coupling Nuts

Product Compliance:
ASME A112.18.1 / CSA B125.1
NSF 61 - Section 9
NSF 372 (Low Lead Content)
ANSI A117.1 (ADA)