



# Spray Valves

## EB-0107-J-SWV

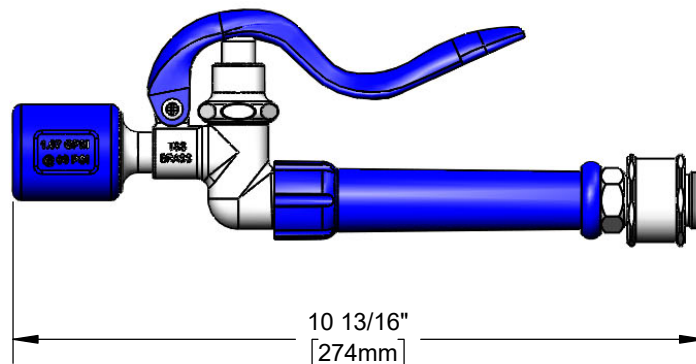
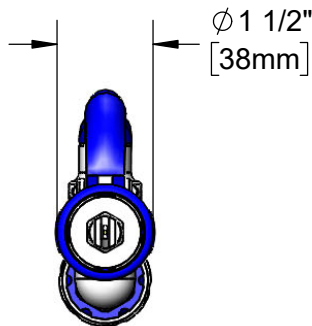
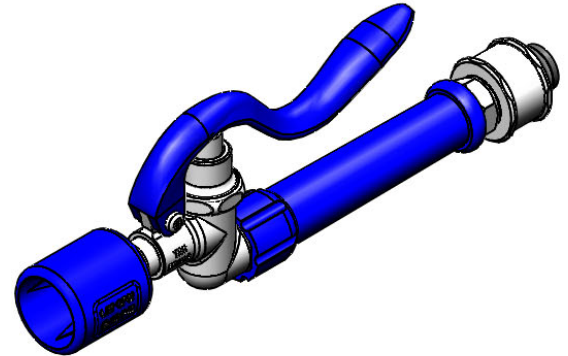
TAG:

Spray Valve

### Architect/Engineering Specifications:

1.07 GPM spray valve, polished chrome plated brass body with pre-rinse swivel, blue rubber bumper and 3/4-14 UN male inlet. Certified to ASME A112.18.1/CSA B125.1, NSF 61-Section 9 and NSF 372. 2019 DOE PRSV - Class II compliant.

Job Name \_\_\_\_\_  
 Model Specified \_\_\_\_\_ Quantity \_\_\_\_\_  
 Variations Specified \_\_\_\_\_  
 Date \_\_\_\_\_



### Features & Benefits:

- Designed for heavy-duty use in industrial kitchens
- 1.07 GPM spray valve
- Pre-rinse swivel
- Blue grip handle and hold down ring
- 3/4-14 NPT male inlet fitting
- Fan jet with knife action spray
- Material: Polished chrome plated brass body and chrome plated swivel

### Product Compliance:

- ASME A112.18.1 / CSA B125.1
- NSF 61 - Section 9
- NSF 372 (Low Lead Content)
- 2019 DOE PRSV - Class II

**Warranty:** One Year (Limited)

### Performance Data:

- Pressure: 20 - 125 psi
- Temperature: 40 °F - 140 °F
- Flow Rate: 1.07 GPM @ 60 psi



T&S BRASS AND BRONZE WORKS, INC.



• 2 Saddleback Cove • Travelers Rest, SC 29690  
 Ph 800-476-4103 • Fax 864-834-3518  
 • Simi Valley, CA • Ph 800-423-0150 • www.tsbrass.com

Date: 09/20/19