



# T&S BRASS AND BRONZE WORKS, INC.

2 Saddleback Cove / P.O. Box 1088  
Travelers Rest, SC 29690

Model No.

B-0198-FD10

Item No.

Travelers Rest, SC: 800-476-4103 • Simi Valley, CA: 800-423-0150 • Fax: 864-834-3518 • www.tsbrass.com

This Space for Architect/Engineer Approval

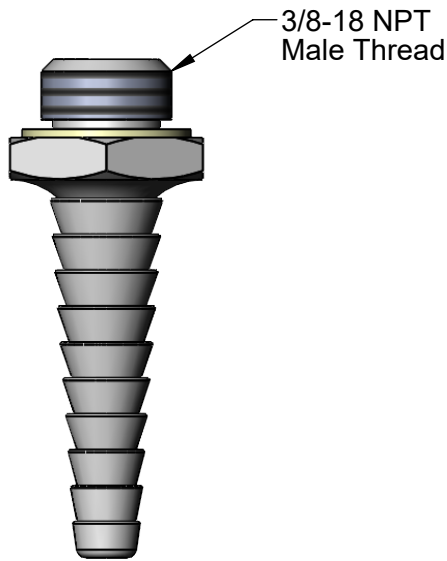
Job Name \_\_\_\_\_ Date \_\_\_\_\_

Model Specified \_\_\_\_\_ Quantity \_\_\_\_\_

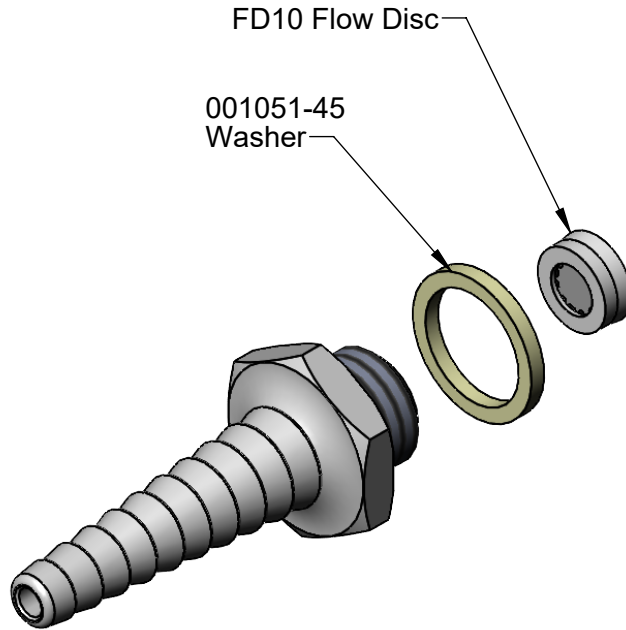
Customer/Wholesaler \_\_\_\_\_

Contractor \_\_\_\_\_

Architect/Engineer \_\_\_\_\_

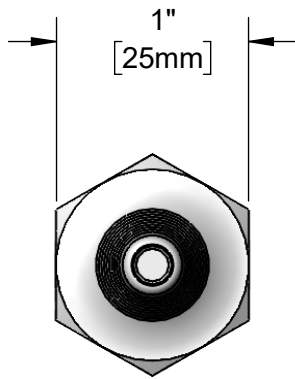


3/8-18 NPT  
Male Thread

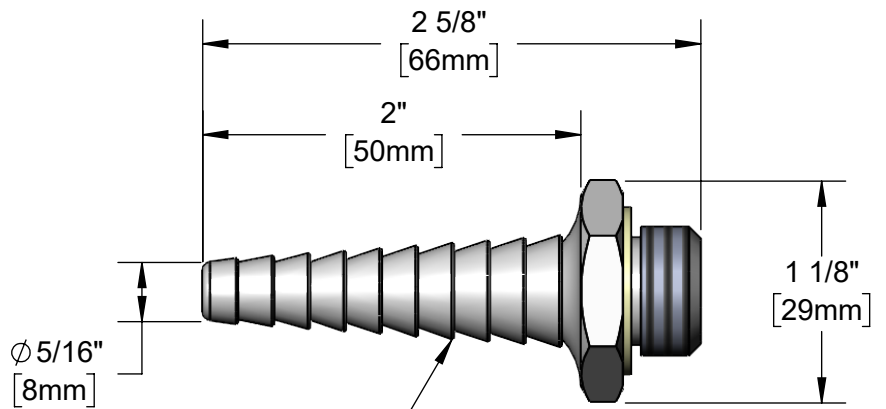


FD10 Flow Disc

001051-45  
Washer



1"  
[25mm]



Ø 5/16"  
[8mm]

1 1/8"  
[29mm]

10 Serrations, Accepts  
Plastic or Rubber  
Tubing Up to 1/2" I.D.

Product Specifications:  
Serrated Tip Outlet, 1.0 GPM Flow Disc w/ 3/8" NPT Male Thread

Product Compliance:  
ASME A112.18.1 / CSA B125.1  
NSF 61 - Section 9  
NSF 372 (Low Lead Content)