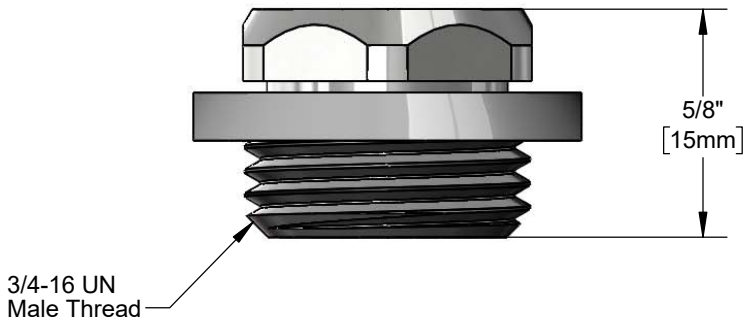
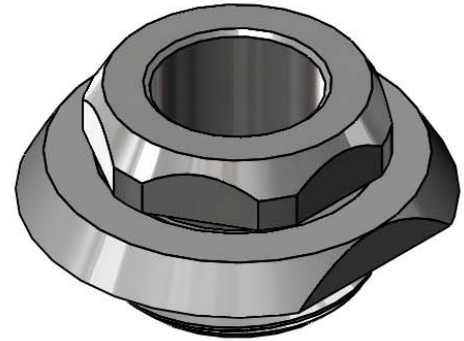




Architect/Engineering Specifications:

Packing and lock nut with 3/4-16 male thread.

Job Name _____
 Model Specified _____ Quantity _____
 Variations Specified _____
 Date _____



Features & Benefits:

- Packing and locking nut
- 3/4-16 UN male thread
- Material: Chrome plated brass

Product Compliance:

- N/A

Warranty: One Year (Limited)

Performance Data:

- N/A

