



**T&S BRASS AND BRONZE WORKS, INC.**  
 2 Saddleback Cove / P.O. Box 1088  
 Travelers Rest, SC 29690

Model No.  
**S-1230**

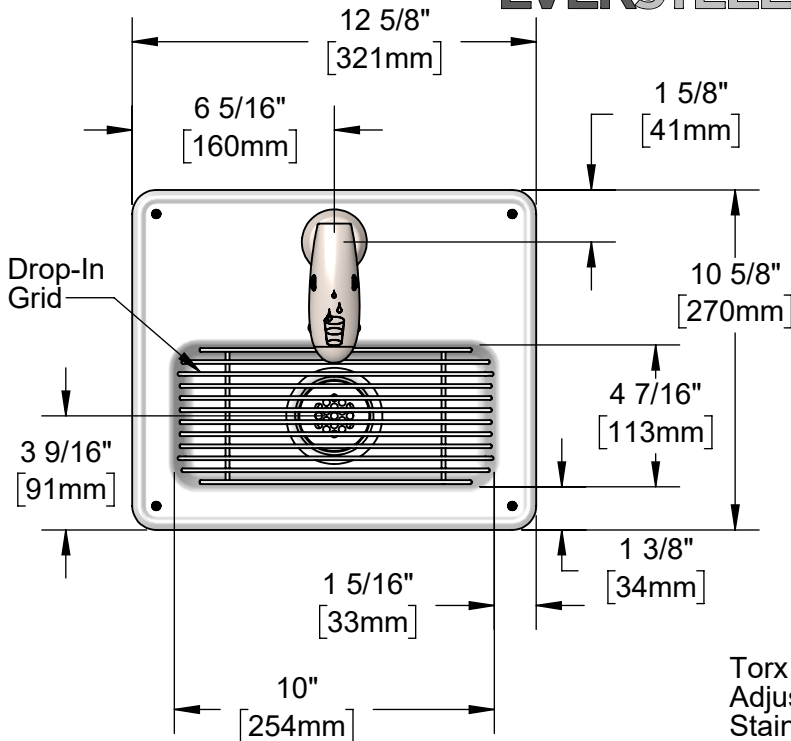
Item No.

Travelers Rest, SC: 800-476-4103 • Simi Valley, CA: 800-423-0150 • Fax: 864-834-3518 • www.tsbrass.com

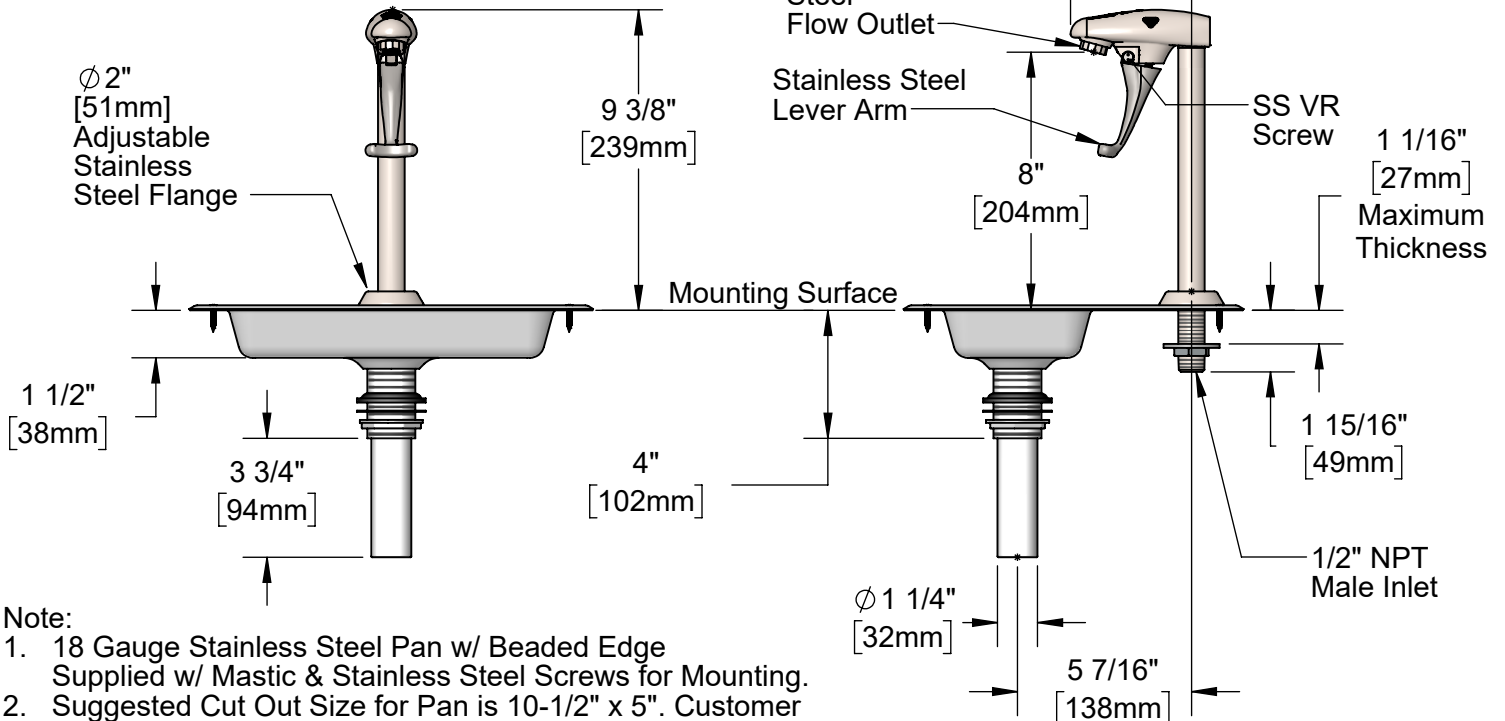
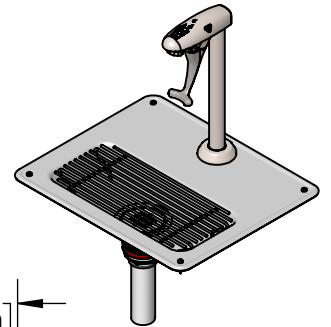
**EVERSTEEL**

This Space for Architect/Engineer Approval

Job Name \_\_\_\_\_ Date \_\_\_\_\_  
 Model Specified \_\_\_\_\_ Quantity \_\_\_\_\_  
 Customer/Wholesaler \_\_\_\_\_  
 Contractor \_\_\_\_\_  
 Architect/Engineer \_\_\_\_\_



**ADA Compliant**



- Note:**
1. 18 Gauge Stainless Steel Pan w/ Beaded Edge Supplied w/ Mastic & Stainless Steel Screws for Mounting.
  2. Suggested Cut Out Size for Pan is 10-1/2" x 5". Customer to Verify Actual Cut Out Needed Prior to Installation.

**Product Specifications:**

Deck Mount Stainless Steel Water Station w/ Pedestal Type Stainless Steel Glass Filler, 18 Gauge Stainless Steel Drip Pan & 1 1/4" Drain

**Product Compliance:**

ASME A112.18.1 / CSA B125.1  
 NSF 61 - Section 9  
 NSF 372 (Low Lead Content)  
 ANSI A117.1 (ADA)



# T&S BRASS AND BRONZE WORKS, INC.

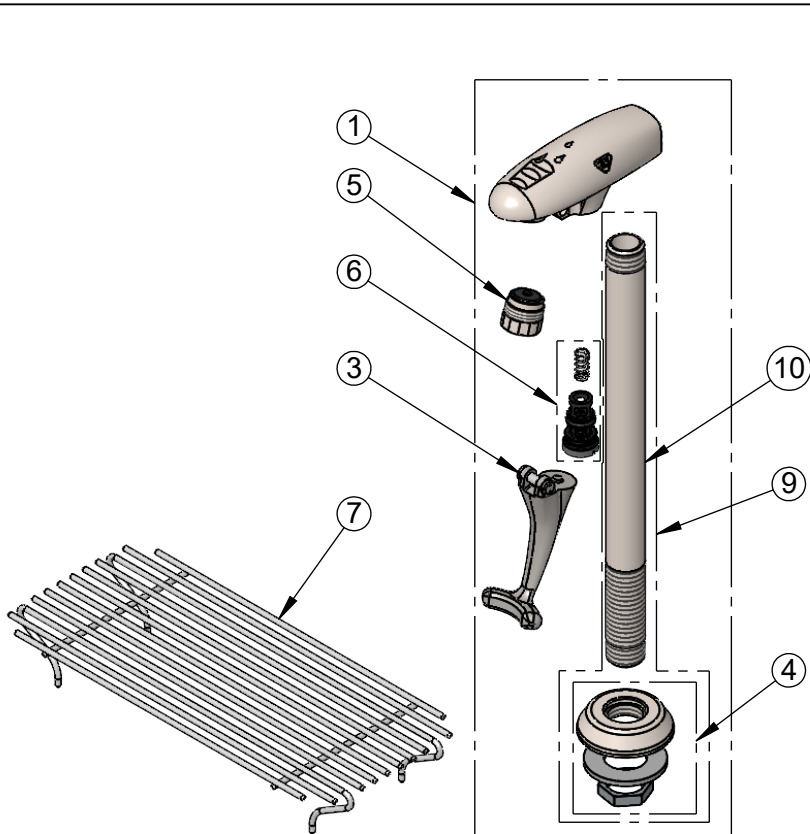
2 Saddleback Cove / P.O. Box 1088  
Travelers Rest, SC 29690

Model No.

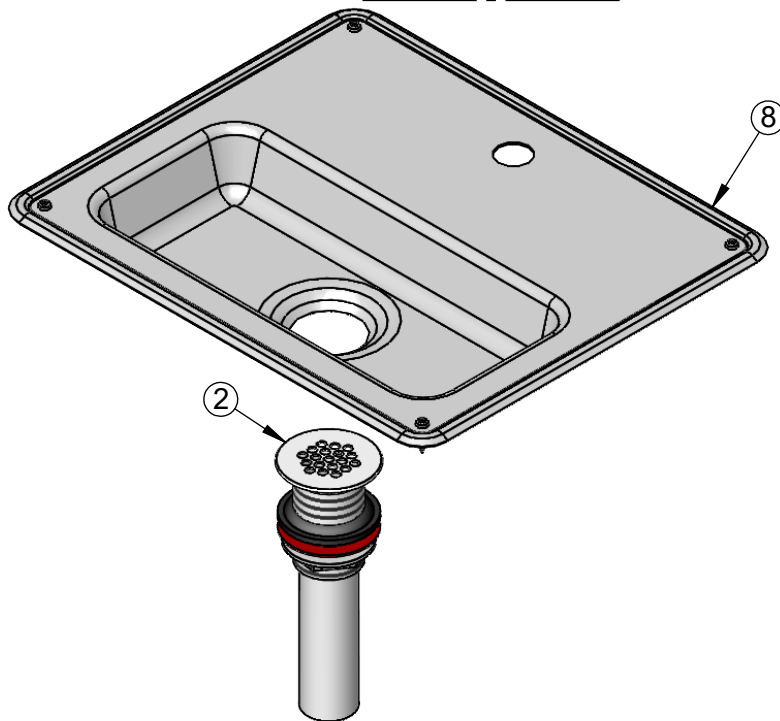
**S-1230**

Item No.

Travelers Rest, SC: 800-476-4103 • Simi Valley, CA: 800-423-0150 • Fax: 864-834-3518 • www.tsbrass.com



ITEM NO.	SALES NO.	DESCRIPTION
1	S-1210	8" Pedestal SS Glass Filler
2	010126-45	Drip Pan Drain
3	S015550-30	SS Lever Arm Repair Kit w/ VR Screw
4	S016783-30	Adjustable SS Slip Deck Flange w/ Delrin
5	S015588-30	Adjustable SS Outlet w/ Torx Wrench
6	015589-40	Valve Repair Kit
7	183F	Drip Pan Grid
8	010123-45	Drip Pan
9	S015887-30	Stainless Steel Pedestal
10	S015886-30	SS Pedestal 8" x 1/2 NPT Male Thread



014734-45  
VR Bit

016640-45  
T-45 Torx  
Wrench

**Product Specifications:**

Deck Mount Stainless Steel Water Station w/ Pedestal Type Stainless Steel Glass Filler, 18 Gauge Stainless Steel Drip Pan & 1 1/4" Drain

**Product Compliance:**

ASME A112.18.1 / CSA B125.1  
NSF 61 - Section 9  
NSF 372 (Low Lead Content)  
ANSI A117.1 (ADA)