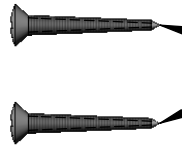
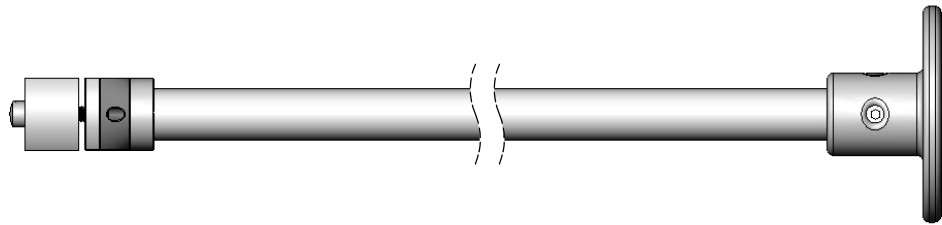
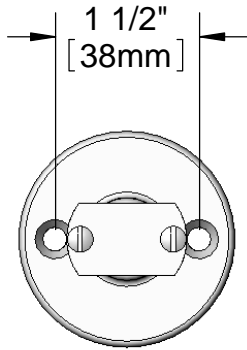
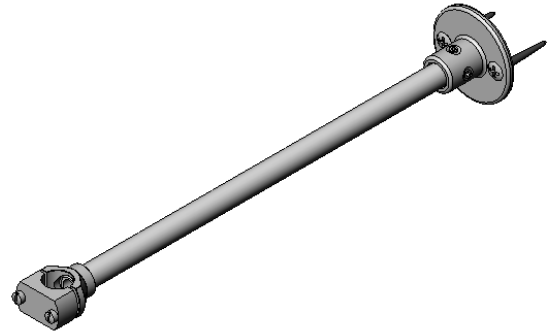
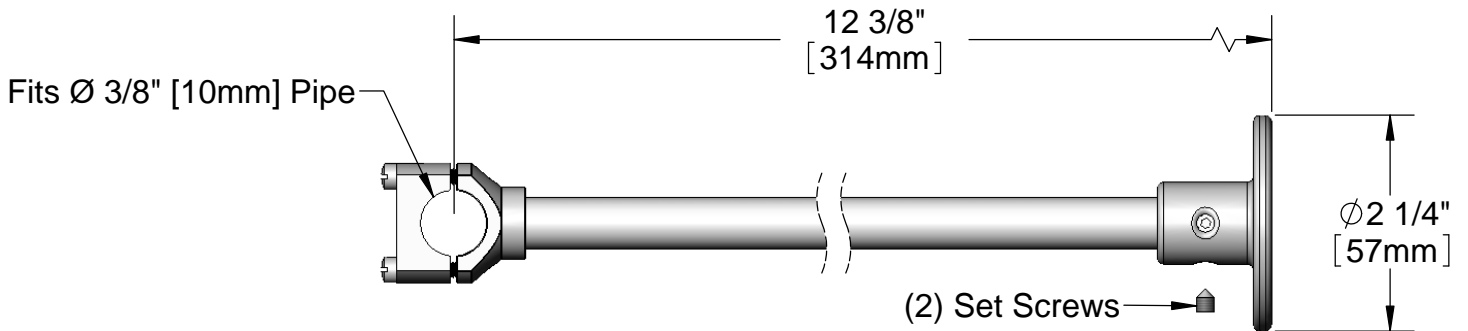


This Space for Architect/Engineer Approval

Job Name _____ Date _____
 Model Specified _____ Quantity _____
 Customer/Wholesaler _____
 Contractor _____
 Architect/Engineer _____



Furnished w/ Chrome Plated Brass
Wood Screws for Wall Mounting



Model Number 014043-40	Date 06/03/11	Scale 1:2	Drawn DHL	Checked KJG	Approved JHB
---------------------------	------------------	--------------	--------------	----------------	-----------------



Product Specifications:
 12" Wall Bracket Assembly for Ø 3/8" Pipe
 w/ Mounting Hardware

equip Foodservice Accessories
 2 Saddleback Cove, P.O. Box 1088
 Travelers Rest, South Carolina 29690
 Phone: 800.891.4808 Fax: 800.868.0084