

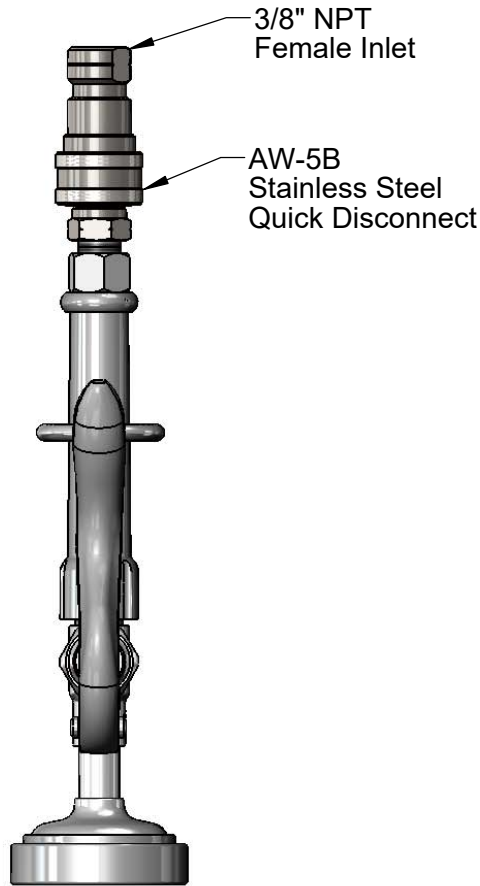


**T&S BRASS AND BRONZE WORKS, INC.**  
 2 Saddleback Cove / P.O. Box 1088  
 Travelers Rest, SC 29690

Model No.  
**B-0107-QD**

Item No.

Travelers Rest, SC: 800-476-4103 • Simi Valley, CA: 800-423-0150 • Fax: 864-834-3518 • www.tsbrass.com



This Space for Architect/Engineer Approval

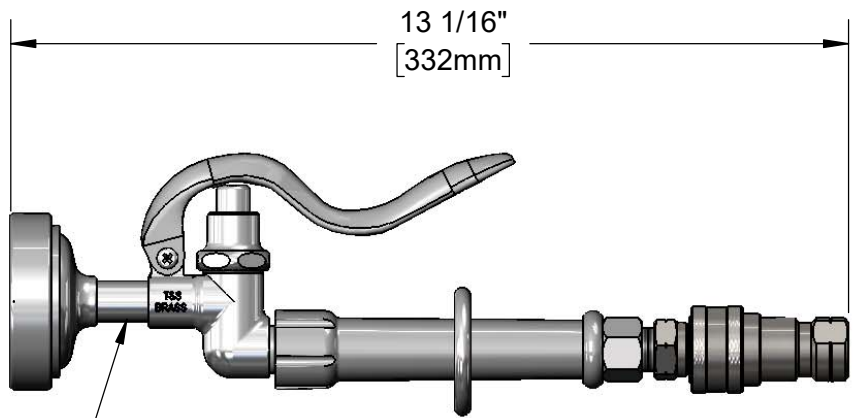
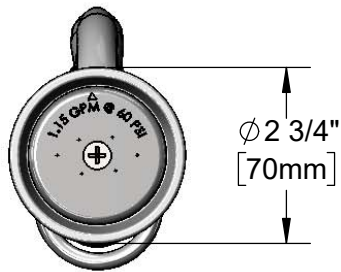
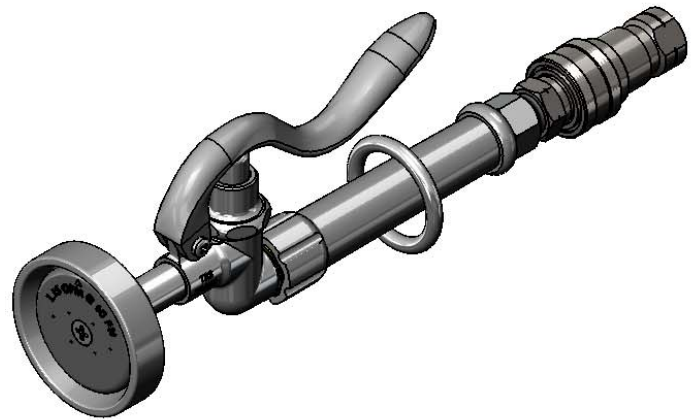
Job Name \_\_\_\_\_ Date \_\_\_\_\_

Model Specified \_\_\_\_\_ Quantity \_\_\_\_\_

Customer/Wholesaler \_\_\_\_\_

Contractor \_\_\_\_\_

Architect/Engineer \_\_\_\_\_



B-0107  
1.15 GPM  
Grey Spray Valve

Product Specifications:  
 1.15 GPM Grey Spray Valve w/ Handle, Hold Down Ring & Stainless Steel Quick Disconnect

Product Compliance:  
 ASME A112.18.1 / CSA B125.1  
 NSF 61 - Section 9  
 NSF 372 (Low Lead Content)  
 2019 DOE PRSV - Class II

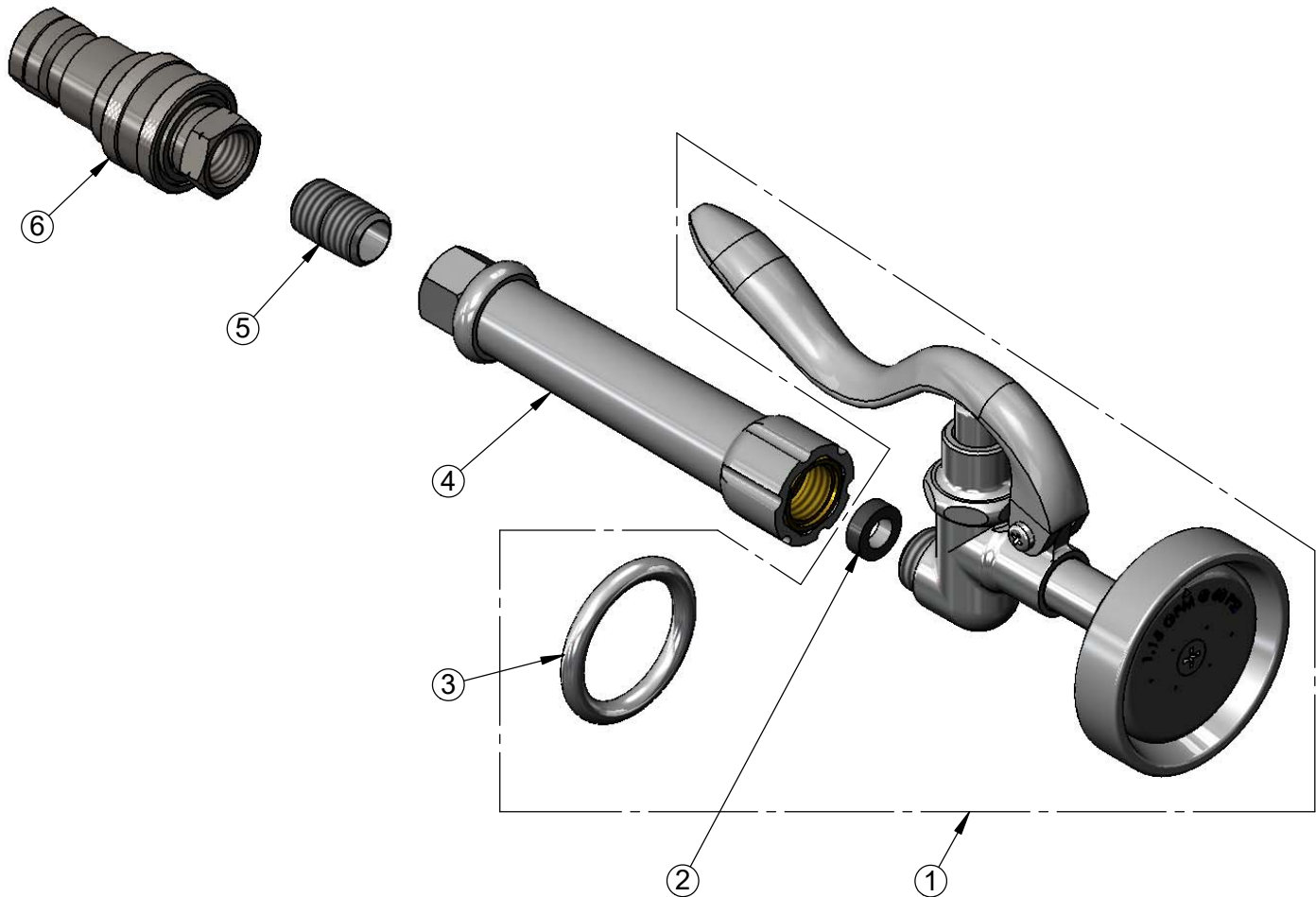


**T&S BRASS AND BRONZE WORKS, INC.**  
 2 Saddleback Cove / P.O. Box 1088  
 Travelers Rest, SC 29690

Model No.  
**B-0107-QD**  
 Item No.

Travelers Rest, SC: 800-476-4103 • Simi Valley, CA: 800-423-0150 • Fax: 864-834-3518 • www.tsbrass.com

| ITEM NO. | SALES NO. | DESCRIPTION                               |
|----------|-----------|---|
| 1        | B-0107    | 1.15 GPM Gray Spray Valve                 |
| 2        | 010476-45 | #27 Washer                                |
| 3        | 000907-45 | Spray Valve Hold Down Ring                |
| 4        | 002881-40 | 3/8" NPT Handle                           |
| 5        | 002535-25 | 3/8" Close Nipple                         |
| 6        | AW-5B     | 3/8" NPT Stainless Steel Quick Disconnect |



Product Specifications:  
 1.15 GPM Grey Spray Valve w/ Handle, Hold Down Ring & Stainless Steel Quick Disconnect

Product Compliance:  
 ASME A112.18.1 / CSA B125.1  
 NSF 61 - Section 9  
 NSF 372 (Low Lead Content)  
 2019 DOE PRSV - Class II