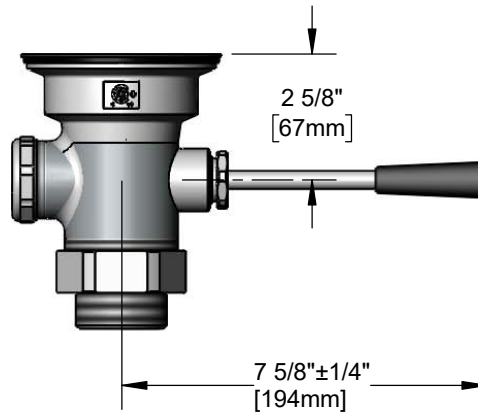
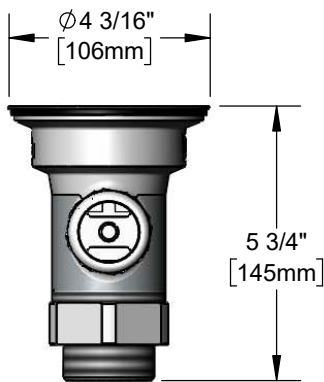




**Architect/Engineering Specifications:**

Lever waste valve for 3" sink opening with rough chrome plated body, 2" NPT male outlet / 1 1/2" NPT female outlet, short lever handle with heat resistant plastic grip, 1 1/2" NPT male adapter, 3" snap-in removable strainer and overflow outlet with cap. Certified to ASME A112.18.2/CSA B125.2

Job Name \_\_\_\_\_  
 Model Specified \_\_\_\_\_ Quantity \_\_\_\_\_  
 Variations Specified \_\_\_\_\_  
 Date \_\_\_\_\_



**Features & Benefits:**

- Lever waste valve for 3" sink opening w/ rough chrome plated body
- 2" NPT male outlet / 1 1/2" NPT female outlet
- Short lever handle w/ heat resistant plastic grip
- 1 1/2" NPT male adapter
- 3" snap-in removable strainer
- Overflow outlet & cap w/ sealing washer
- Material: Rough chrome plated brass body, adapter & cap, stainless steel handle and flat strainer

**Product Compliance:**

- ASME A112.18.2 / CSA B125.2

**Warranty:** One Year (Limited)

**Performance Data:**

- Discharge Rate: 18.00 GPM [68.14 L/min] max
- Temperature: 40°F - 180°F [4.44°C - 82.2°C]

