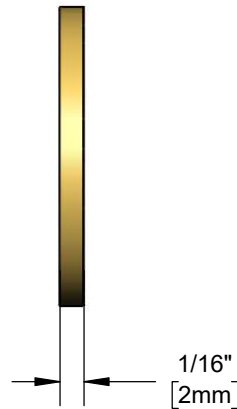
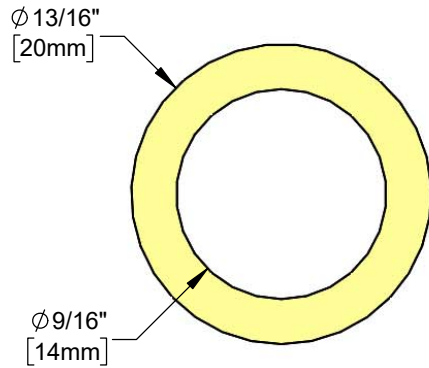
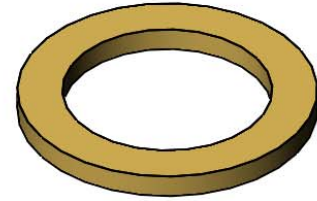




Architect/Engineering Specifications:

13/16 gooseneck tip washer. Certified to NSF 61 - Section 9 and NSF 372.

Job Name \_\_\_\_\_  
 Model Specified \_\_\_\_\_ Quantity \_\_\_\_\_  
 Variations Specified \_\_\_\_\_  
 Date \_\_\_\_\_



Features & Benefits:

- Gooseneck tip washer
- Material: Santoprene

Product Compliance:

- NSF 61 - Section 9
- NSF 372 (Low Lead Content)

Warranty: One Year (Limited)

Performance Data:

- N/A

