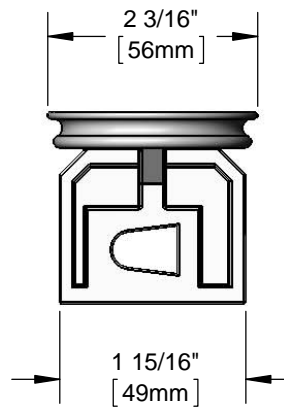
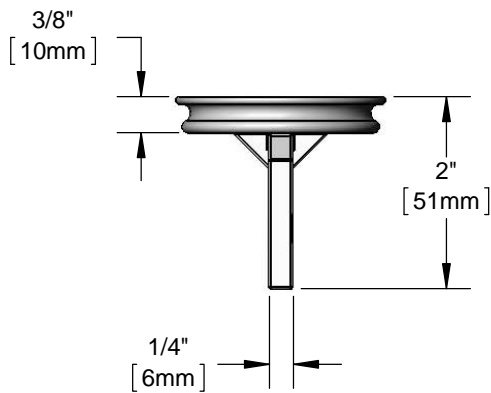
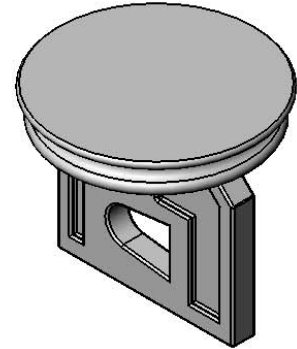




Architect/Engineering Specifications:

Plunger, rotary (twist) & lever handle waste valve.

Job Name	_____
Model Specified	_____ Quantity _____
Variations Specified	_____
Date	_____



Features & Benefits:

- Plunger, rotary (twist) & lever handle waste valve
- Material: Chrome plated brass

Product Compliance:

- N/A

Warranty: One Year (Limited)

Performance Data:

- N/A

