



Architect/Engineering Specifications:

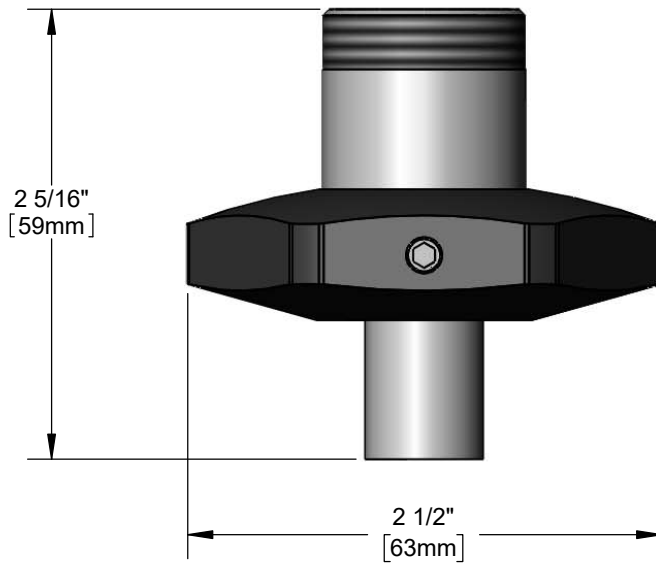
Pot filler outlet assembly with heat resistant handle, set screws and 1 1/16"-20 UN male inlet. Certified to NSF 61-Section 9 and NSF 372.

Job Name _____

Model Specified _____ Quantity _____

Variations Specified _____

Date _____



Features & Benefits:

- Pot filler outlet assembly
- Heat resistant handle
- Set screws
- 1 1/16-20 UN male inlet
- Material: Chrome plated brass

Product Compliance:

- ASME A112.18.1 / CSA B125.1
- NSF 61 - Section 9
- NSF 372 (Low Lead Content)



Warranty: One Year (Limited)



Performance Data:

- N/A

