



# Glass Fillers

## 5GF-12P

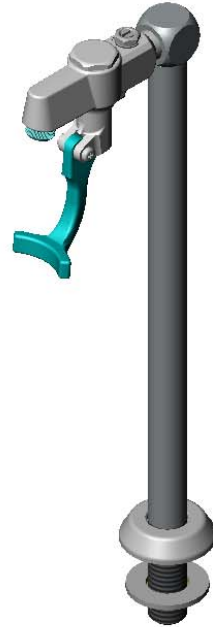
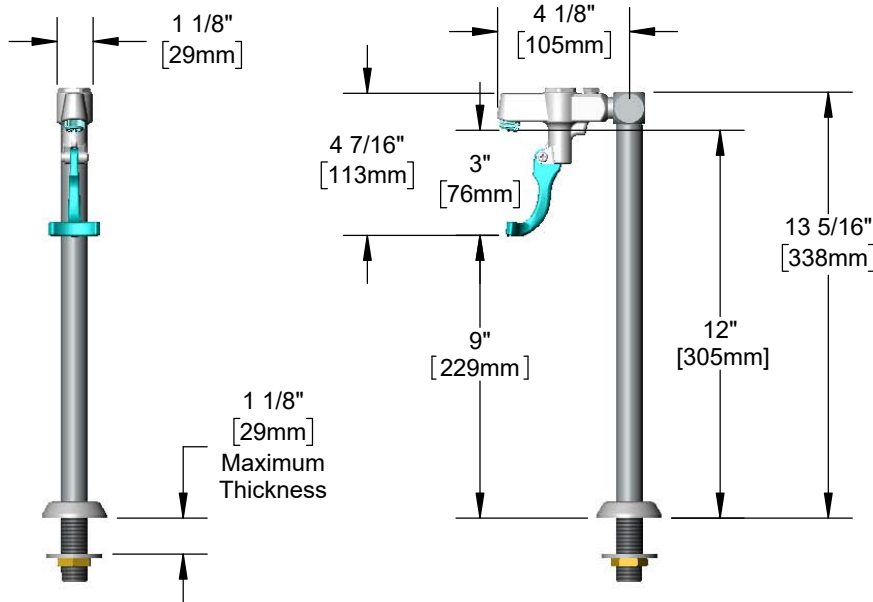
TAG:

### Push Back Glass Filler

#### Architect/Engineering Specifications:

12" high deck glass filler with polished chrome plated brass body, adjustable flow control, push back actuation arm, pedestal with adjustable deck flange and 1/2" NPT male inlet. Certified to ASME A112.18.1/CSA B125.1, NSF 61-Section 9 and NSF 372. Meets ADA ANSICC A117.1 requirements.

Job Name \_\_\_\_\_  
 Model Specified \_\_\_\_\_ Quantity \_\_\_\_\_  
 Variations Specified \_\_\_\_\_  
 Date \_\_\_\_\_



#### Features & Benefits:

- 12" high deck glass filler
- Adjustable flow control w/ screw driver
- Instantaneous shut-off
- 1/2" NPT male inlet
- Pedestal w/ adjustable  $\phi$ 2" flange
- Material: Polished chrome plated brass body & pedestal, chrome plated metal flange and thermoplastic arm

#### Product Compliance:

- ASME A112.18.1 / CSA B125.1
- NSF 61 - Section 9
- NSF 372 (Low Lead Content)
- ANSI A117.1 (ADA)

**Warranty:** One Year (Limited)

#### Performance Data:

- Pressure: 20 - 125 psi [1.38 - 8.62 bar]
- Temperature: 40 °F - 140 °F [4.44 °C - 60 °C]
- Flow Rate: 0.25 GPM min [.95 L/min] @ 60 psi [4.14 bar]  
2.50 GPM max [9.46 L/min] @ 60 psi [4.14 bar]



ADA Compliant



equip Foodservice Accessories



• 2 Saddleback Cove • Travelers Rest, SC 29690  
 Ph 800-891-4808 • Fax 800-868-0084  
 www.tsbrass.com

Date: 08/31/20