



**T&S BRASS AND BRONZE WORKS, INC.**  
 2 Saddleback Cove / P.O. Box 1088  
 Travelers Rest, SC 29690

Model No.

**B-0199-06-N05**

Item No.

Travelers Rest, SC: 800-476-4103 • Simi Valley, CA: 800-423-0150 • Fax: 864-834-3518 • www.tsbrass.com

This Space for Architect/Engineer Approval

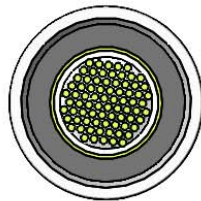
Job Name \_\_\_\_\_ Date \_\_\_\_\_

Model Specified \_\_\_\_\_ Quantity \_\_\_\_\_

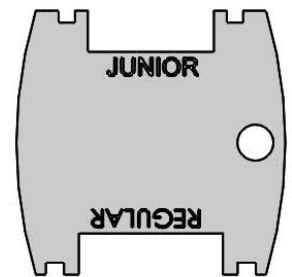
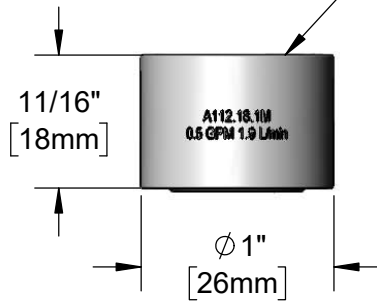
Customer/Wholesaler \_\_\_\_\_

Contractor \_\_\_\_\_

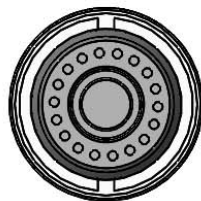
Architect/Engineer \_\_\_\_\_



VR 0.5 GPM [1.9 L/min] Non-Aerated  
 Spray Device w/ 55/64-27 UN Female Thread



015425-45  
 Vandal Resistant Key  
 (Included)



Product Specifications:

VR 0.5 GPM [1.9 L/min] Non-Aerated Spray Device  
 w/ 55/64-27 UN Female Thread & VR Key

Product Compliance:

ASME A112.18.1 / CSA B125.1  
 NSF 61 - Section 9  
 NSF 372 (Low Lead Content)