



T&S BRASS AND BRONZE WORKS, INC.
 2 Saddleback Cove / P.O. Box 1088
 Travelers Rest, SC 29690

Model No.
B-0109-04

Item No.

Travelers Rest, SC: 800-476-4103 • Simi Valley, CA: 800-423-0150 • Fax: 864-834-3518 • www.tsbrass.com

This Space for Architect/Engineer Approval

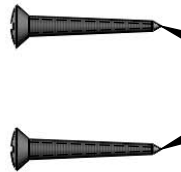
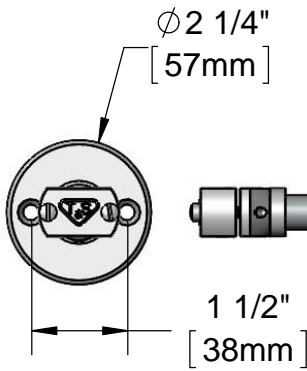
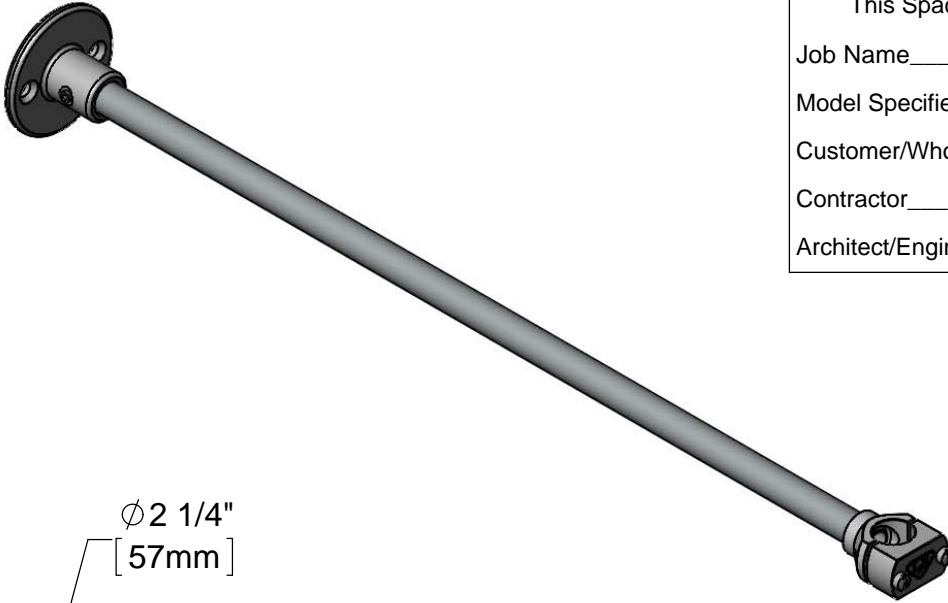
Job Name _____ Date _____

Model Specified _____ Quantity _____

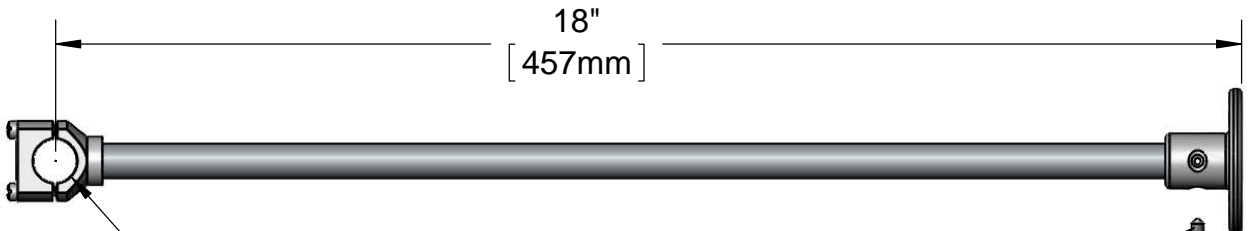
Customer/Wholesaler _____

Contractor _____

Architect/Engineer _____



Chrome Plated Brass Wood Screws
 for Wall Mounting (Included)



Fits 3/8" Pipe

(2) Set Screw

Product Specifications:
 18" Wall Bracket Assembly for 3/8" Pipe w/ Mounting Hardware

Product Compliance: